

Level Measurement

Continuous level measurement
Guided wave radar transmitters

SITRANS LG series

Overview



The Siemens SITRANS LG series are guided wave radar transmitters for level, level/interface, and volume measurement of liquids and solids. The SITRANS LG product line can handle changes in process conditions, high temperatures and pressures, and steam.

Benefits

- High accuracy to +/- 2 mm
- Advanced Diagnostics available for high degree of safety
- Simple menu driven display offers ease of setup
- Large range of options offers reliability in most continuous level measurement applications
- Ease of maintenance through module design and field replaceable and adjustable probe options
- Perfect solution for wide range of applications from storage to interface with options for extreme pressure and temperature conditions
- Universally applicable in liquids, interface, slurries and solids
- Highly immune to buildup using auto learn function
- Ability to measure in loss of echo situations with probe end tracking
- Suitable for API 2350
- Convenient access using USB and remote interface accessories

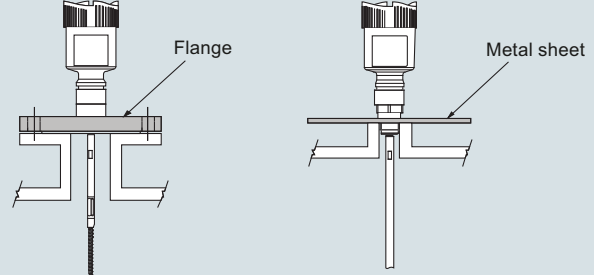
Application

The SITRANS LG series comes in four different models, depending on the applications, level of performance, and functionality required:

- SITRANS LG240 offers configuration options for your hygienic and corrosive application requirements
- SITRANS LG250 Highly flexible solution for liquid level and interface applications. Extremely versatile offering solutions for storage, separation of materials or difficult ammonia applications
- SITRANS LG260 Ideal for measuring level in medium range solids applications including; grains, plastics, and cement
- SITRANS LG270 offers configuration options for extreme conditions including high temperature and high pressure applications such as: harsh applications found in chemical, HPI and energy industries for example, LPG gas tanks, steam boilers and distillation columns

Configuration

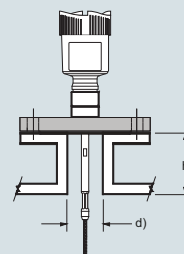
Mounting on nozzle



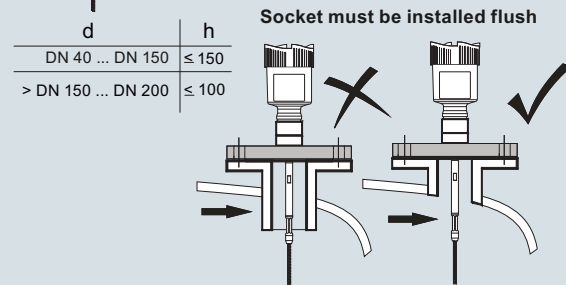
Installation in non-metal vessel

The guided microwave principle requires a metal surface on the process fitting. Therefore, use in plastic vessels etc. an instrument version with flange (from DN 50) or place a metal sheet, $\text{Ø} > 200 \text{ mm}$ (8 inch), beneath the process fitting when screwing it in. Make sure that the plate has direct contact with the process fitting

Mounting socket



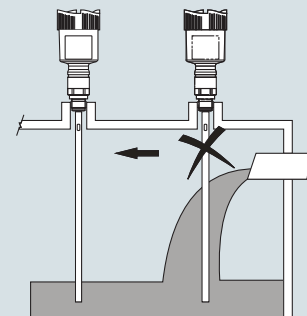
If possible, avoid sockets, mount the sensor flush with the vessel top. If this is not possible, use short sockets with small diameter. Higher sockets or sockets with a bigger diameter can generally be used. They simply increase the upper blocking distance. Check if this is relevant for your measurement. In such cases, always carry out a false signal suppression after installation.



Socket must be installed flush

When welding the socket, make sure that the socket is flush to the vessel top.

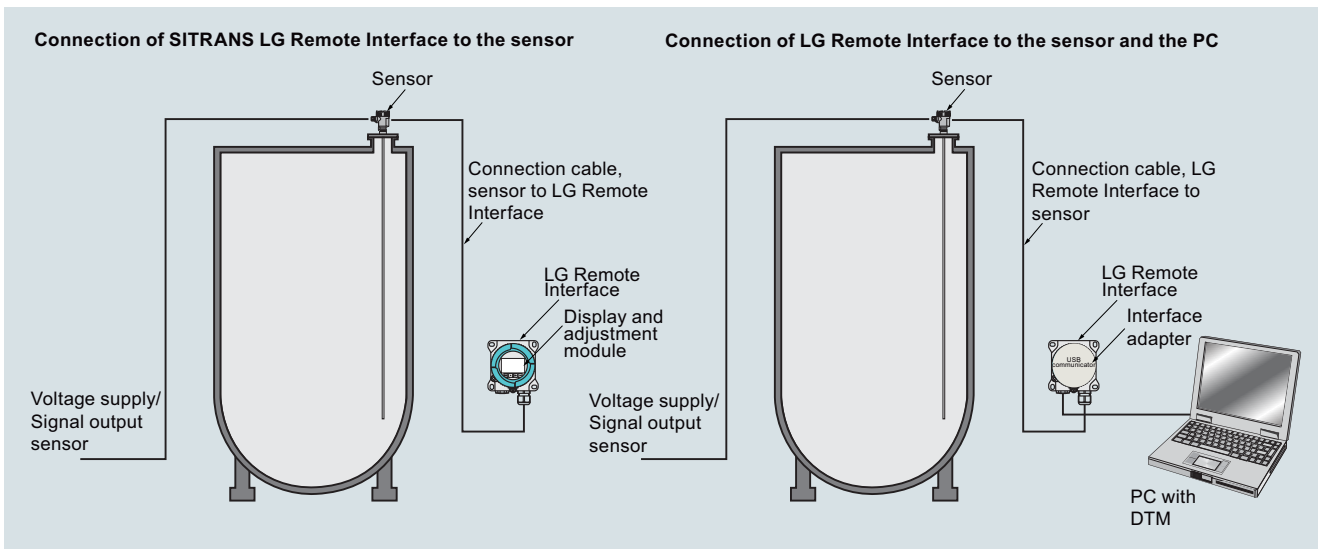
Before beginning the welding work, remove the electronics module from the sensor. By doing this, you avoid damage to the electronics through inductive coupling.



Inflowing medium

Do not mount the instruments in or above the filling stream. Make sure that you detect the product surface, not the inflowing product.

SITRANS LG Series installation



SITRANS LG Remote Interface installation

Level Measurement

Continuous level measurement Guided wave radar transmitters

SITRANS LG series

Technical specifications

Mode of operation		Medium conditions	
Measuring principle	Guided wave radar measurement	Dielectric constant	dK ≥ 1.4 (configuration dependent) Note: for measurement below 1.4 use probe end tracking.
Measuring range	300 ... 75 000 mm (11.81 ... 2 952.75 inch)	Process temperature range	-196 ... +450 °C (-321 ... +842 °F)
Output		Vessel pressure	-1 ... +400 bar (-100 ... +40 000 kPa)
mA analog output with HART digital signal	4 ... 20 mA/HART (SIL optional)	Design	
Output range		Instrument weight (dependent on process fitting) - see manual for further details	Approx. 0.8 ... 8 kg (0.176 ... 17.64 lb)
• Analog	Current: minimum 3.8 mA, maximum 20.5 mA	Materials	<ul style="list-style-type: none"> • Plastic housing plastic PBT (Polyester) • Aluminum die-cast housing, aluminum die-cast AlSi10 mg, powder-coated- basis: polyester • Stainless steel housing, precision casting 316L • Stainless steel housing, electropolished 316L
• Startup current	≤ 10 mA for 5 ms after switching on, ≤ 3.6 mA	• Enclosure	
Diagnostic alarm	Failure signal current output (adjustable): last valid measured value, ≥ 21 mA, ≤ 3.6 mA	• Degree of protection	<ul style="list-style-type: none"> • Type 4/NEMA 4, IP65 • Plastic housing IP66/IP67 • Aluminum and stainless steel housings are IP 66/68
Digital communication	HART Version 7 x and multidrop compatible	• Cable inlet	2 x M20 x 1.5 or 2 x ½" NPT
Modbus	Modbus RTU, Modbus ASCII	Process connections	
PROFIBUS PA	PROFIBUS PA profile 3.02	• Pipe thread, cylindrical (ISO 228 T1)	G¾" A, G1" A, G1½" A according to DIN 3852-A
FOUNDATION Fieldbus	FOUNDATION Fieldbus protocol Physical layer according to IEC 61158-2	• American pipe thread, conical (ASME B1.20.1)	¾" NPT, 1" NPT, 1½" NPT
Performance		• Flanged	DIN from DN 25, ASME from 1"
• Measuring cycle time	Process reference conditions according to DIN EN 61298-1	• Hygienic	Hygienic fittings
• Step response time	< 500 ms	Programming	
• Temperature Effects	≤ 3 s	Local	Four button, menu-driven data entry
Non-linearity	The measurement error from the process conditions is in the specified pressure and temperature range of below 1 %	Handheld communicator	Hart communicator
• Coaxial		PC	SIMATIC PDM, AMS, PACTware
• Single rod probes		Power	
• Interface models	See manual for more details	2-wire Hart version	9.6 ... 35 V DC
Resolution and repeatability	Accuracy +/- 2 mm (0.08 inch)	4-wire versions	9.6 ... 48 V DC, 20 ... 42 V AC, 50/60 Hz, and 90 ... 253 V AC, 50/60 Hz
Accuracy		Modbus	8 ... 30 V DC
• Coaxial/rod/cable probes	+/- 2 mm (0.08 inch)	PROFIBUS PA	9 ... 32 V DC
• Interface models	+/- 5 mm (0.197 inch)	FOUNDATION Fieldbus	9 ... 32 V DC
Rated operating conditions		Note: see manual for specific power based on ordered options	
Ambient temperature for enclosure	-40 ... +80 °C (-40 ... +176 °F)	Certificates and approvals	
LCD readable temperature range	-40 ... +80 °C (-40 ... +176 °F) with display heated option	Hazardous approvals:	ATEX, FM, CSA, IECEx Note: other regional approvals are available
Location	Indoor/outdoor	Hygienic approvals:	EHEDG, FDA
Installation category	II	Overfill protection	WHG, Vlarem
Pollution degree	2	Ship approval	ABS, CCS, GL, BV, LR
Relative Humidity	20 ... 85 %		

Industries	SITRANS LG240 Food, Beverage and Pharmaceutical	SITRANS LG250 Chemical/HPI/Power/General	SITRANS LG260 Cement, power generation, food, processing, mineral processing, mining	SITRANS LG270 Chemical/HPI/Power/General
Applications	Hygienic and corrosive applications	Liquids, storage and process vessels with agitators, vaporous liquids, interface	Cement, fly ash, grain, coal, flour, plastics	Aggressive applications in liquids, storage and process vessels with agitators, vaporous liquids, high temperatures and pressures, low dielectric media
Range	32 m	75 m	60 m	60 m
Performance	± 2 mm	± 2 mm	± 2 mm	± 2 mm
Temperature	-40 ... +150 °C (-40 ... +302 °F)	-40 ... +200 °C (-40 ... +392 °F)	-40 ... +200 °C (-40 ... +392 °F)	-196 ... +450 °C (-320.8 ... +842 °F)
Communications	<ul style="list-style-type: none"> • 4 ... 20 mA/HART • Modbus: Modbus RTU, Modbus ASCII • PROFIBUS PA • FOUNDATION Fieldbus • SIMATIC PDM • DTM/FDT for PACTware • Fieldcare 	<ul style="list-style-type: none"> • 4 ... 20 mA/HART • Modbus: Modbus RTU, Modbus ASCII • PROFIBUS PA • FOUNDATION Fieldbus • SIMATIC PDM • DTM/FDT for PACTware • Fieldcare 	<ul style="list-style-type: none"> • 4 ... 20 mA/HART • Modbus: Modbus RTU, Modbus ASCII • PROFIBUS PA • FOUNDATION Fieldbus • SIMATIC PDM • DTM/FDT for PACTware • Fieldcare 	<ul style="list-style-type: none"> • 4 ... 20 mA/HART • Modbus: Modbus RTU, Modbus ASCII • PROFIBUS PA • FOUNDATION Fieldbus • SIMATIC PDM • DTM/FDT for PACTware • Fieldcare

Level Measurement

Continuous level measurement
Guided wave radar transmitters

SITRANS LG series


Selection and Ordering data	Article No.	Ord. Code	Selection and Ordering data	Article No.	Ord. Code
SITRANS LG240	7ML5880-		SITRANS LG240	7ML5880-	
Guided Wave Radar sensor for Hygienic and corrosive continuous level and interface measurement of liquids.			Guided Wave Radar sensor for Hygienic and corrosive continuous level and interface measurement of liquids.		
↗ Click on the Article No. for the online configuration in the PIA Life Cycle Portal.			Note: Version/Material, Process fitting/Material, and Length options are available only with options of corresponding type.		
Approvals			Probe version/Material		
General purpose (CSA, FM, CE)	0 A		Probe cable \varnothing 4 mm (0.16 inch) with gravity weight/PFA ¹⁷⁾	A	
Overfill protection (WHG; VLAREM) ¹¹⁾	0 C		Note: max. insertion length is 6 000 mm when 5 point calibration certificate is selected.		
ATEX II 1G, 1/2G, 2G Ex ia IIC T6 ¹⁴⁾	0 E		Probe exchangeable rod \varnothing 8 mm (0.31 inch)/ 1.4435 (Basle standard) ¹⁷⁾	B	
ATEX II 1G, 1/2G, 2G Ex ia IIC + Overfill (WHG;VLAREM) ¹¹⁾	0 F		Probe exchangeable rod \varnothing 8 mm (0.31 inch)/ 1.4435 (Basle standard) can be autoclaved ¹⁷⁾	C	
ATEX II 1G, 1/2G 2G Ex ia IIC + ATEX II 1D, 1/2D, 2D IP6x ¹⁾¹⁵⁾¹⁷⁾	0 H		Probe rod \varnothing 10 mm (0.39 inch)/PFA ¹⁷⁾	D	
ATEX II 1/2G, 2G Ex d ia IIC T6 ³⁾¹³⁾¹⁶⁾	0 J		Probe exchangeable rod (\varnothing 8 mm) /1.4435 (BN2), electropolished (Ra < 0.38 μ m) ¹⁷⁾	E	
ATEX II 1/2G, 2G Ex d ia IIC + ATEX II 1/2D, 2D IP6x ³⁾¹³⁾¹⁶⁾¹⁷⁾	0 K		Process fitting/Material		
ATEX II 1D, 1/2D, 2D IP6x ¹⁾¹⁷⁾¹⁸⁾	0 N		Clamp 2" PN 16 (\varnothing 64 mm) DIN 32676, ISO2852/1.4435 (BN2)	0 0	
ATEX II 1G, II 1/2G, II 2G Ex ia IIC T6...T1 Ga, Ga/Gb, Gb /IEC Ex ia IIC T6...T1 Ga, Ga/Gb, Gb ¹⁾¹⁴⁾	0 W		Clamp 2" PN 16 (\varnothing 64 mm) DIN 32676, ISO2852/PTFE-TFM 1600	0 1	
IEC Ex ia IIC T6 ¹⁴⁾	0 P		Clamp 2 1/2" PN 10 (\varnothing 77.5 mm) DIN 32676, ISO2852/1.4435 (BN2)	0 2	
IEC Ex ia IIC T6 + IEC IP6x T tD ¹⁾¹⁵⁾¹⁷⁾	0 Q		Clamp 2 1/2" PN 10 (\varnothing 77.5 mm) DIN 32676, ISO2852/PTFE-TFM 1600	0 3	
IEC Ex d ia IIC T6 ³⁾¹³⁾¹⁶⁾	0 R		Clamp 3" PN 10 (\varnothing 91 mm) D N 32676, ISO2852/1.4435 (BN2)	0 4	
IEC Ex d ia IIC T6 + IEC IP6x T tD ³⁾¹³⁾¹⁶⁾	0 S		Clamp 3" PN 10 (\varnothing 91 mm) DIN 32676, ISO2852/PTFE-TFM 1600	0 5	
FM (NI) Class I, Div. 2, Groups A, B, C, D2 ⁹⁾¹⁶⁾	1 A		Clamp 4" PN 6 (\varnothing 119 mm) DIN 32676, ISO2852/1.4435(BN2)	0 6	
FM (IS) Class I, II, III, Div. 1, Groups A, B, C, D, E, F, G ⁹⁾¹⁵⁾	1 B		Clamp 4" PN 6 (\varnothing 119 mm) DIN 32676, ISO2852/PTFE-TFM 1600	0 7	
FM (XP-AIS) Class I, II, III, Div. 1, Groups A, B, C, D, E, F, G ³⁾¹³⁾¹⁶⁾	1 C		Clamp 1 1/2" PN 16 (\varnothing 50.5 mm) DIN 32676, ISO2852/1.4435 (BN2)	4 0	
CSA (NI) Class I, Div. 2, Groups A, B, C, D; (DIP) Class II, III, Div. 1, Groups E, F, G ¹⁾⁵⁾¹⁷⁾	1 E		Bolting DN 32, PN 40 DIN 11851/ 1.4435(BN2)	0 8	
CSA (IS) Class I, II, III, Div. 1, Groups A, B, C, D, E, F, G ¹⁾	1 F		Bolting DN 32, PN 40 DIN 11851/PTFE-TFM 1600	1 0	
CSA (XP-IS) Class I, II, III, Div. 1, Groups A, B, C, D, E, F, G ³⁾¹³⁾¹⁶⁾	1 G		Bolting DN 40, PN 40 DIN 11851/1.4435 (BN2)	1 1	
NEPSI Ex ia IIC T6 ¹⁴⁾	2 A		Bolting DN 40, PN 40 DIN 11851/PTFE-TFM 1600	1 2	
NEPSI Ex ia IIC T6 + DIP A20/21 TA T ^{*1)15)}	2 B		Bolting DN 50, PN 25 DIN 11851/ 1.4435(BN2)	1 3	
NERSI Ex d ia IIC T6 ⁹⁾¹³⁾¹⁶⁾	2 C		Bolting DN 50, PN 25 DIN 11851/PTFE-TFM 1600	1 4	
NEPSI Ex d ia IIC T6 + DIP A20/21 TA T ^{*9)13)16)}	2 D		Bolting DN 65, PN 25 DIN 11851/PTFE-TFM 1600	1 5	
NEPSI DIP A20/21 TA T ^{*1)16)}	2 G		Flange DN 25, PN 40 Form C, DIN 2501/ PTFE-TFM 1600	2 0	
INMETRO Ex ia IIC T6 ... T1 ¹⁴⁾	3 A		Flange DN 40, PN 40 Form C, DIN 2501/ PTFE-TFM 1600	2 1	
INMETRO Ex t IIC T* IP6X, Da, Da/Db, Da/ Dc, Db + Ex ia IIC T6, Ga, Ga/Gb ¹⁾¹⁵⁾	3 B		Flange DN 50, PN 40 Form C, DIN 2501/ PTFE-TFM 1600	2 2	
INMETRO Ex d ia IIC T6 ... T1 ⁹⁾¹³⁾¹⁶⁾	3 C		Flange DN 50, PN 40 Form V13, DIN 2513/ PTFE-TFM 1600	2 3	
INMETRO Ex t IIC T* IP6X, Da, Da/Db, Da/ Dc, Db + Ex d ia IIC T6 Ga/Gb ⁹⁾¹³⁾¹⁶⁾	3 D		Flange DN 65, PN 40 Form C, DIN 2513/ PTFE-TFM 1600	2 4	
INMETRO Ex t IIC T* IP6X, Da, Da/Db, Da/Dc, Db ¹⁾¹³⁾¹⁶⁾	3 G		Flange DN 80, PN 40 Form C, DIN 2501/ PTFE-TFM 1600	2 5	
Korea KC ex free area	6 A		Flange DN 100, PN 16 Form C, DIN 2501/ PTFE-TFM 1600	2 6	
GOST-R/EAC 0 Ex ia IIC T1 ... T6 X ¹⁴⁾	5 A				
GOST-R/EAC 0 Ex ia IIC T1 ... T6 X + Ex t IIC T ... IP66 ¹⁾¹⁵⁾	5 B				
GOST-R/EAC 1 Ex d ia IIC T1 ... T6 X ⁹⁾¹³⁾¹⁶⁾	5 C				
GOST-R/EAC 1 Ex d ia IIC T1 ... T6 X + Ex t IIC T ... IP66 ⁹⁾¹³⁾¹⁶⁾	5 D				

Selection and Ordering data	Article No.	Ord. Code	Selection and Ordering data	Article No.	Ord. Code
SITRANS LG240	7ML5880-		SITRANS LG240	7ML5880-	
Guided Wave Radar sensor for Hygienic and corrosive continuous level and interface measurement of liquids.			Guided Wave Radar sensor for Hygienic and corrosive continuous level and interface measurement of liquids.		
Flange DN 80, PN 40 EN 1092-1 Form B1/PTFE-TFM 1600	2 7		Aluminum double chamber/IP66/IP68 (0.2 bar) M20 x 1.5/cable gland stainless steel		P
Flange DN 100, PN 40 EN 1092-1 Form B1/PTFE-TFM 1600	2 8		Stainless steel (precision casting) 316L/IP66/IP68 (0.2 bar) M20 x 1.5/cable gland stainless steel		Q
Flange 2" 150 lb RF, ASME B16.5/PTFE-TFM 1600	3 0		Stainless steel (electropolished) 316L/IP66/IP68 (0.2 bar) M20 x 1.5/cable gland stainless steel		R
Flange 2" 300 lb RF, ASME B16.5/PTFE-TFM 1600	3 1		Aluminum single chamber / IP66/IP68 (0.2 bar) M20 x 1.5/cable gland brass nickel-plated		W
Flange 3" 150 lb RF, ASME B16.5/PTFE-TFM 1600	3 2		Aluminum double chamber / IP66/IP68 (0.2 bar) M20 x 1.5/cable gland brass nickel-plated		X
Flange 4" 150 lb RF, ASME B16.5/PTFE-TFM 1600	3 3		Stainless steel single chamber (precision casting) / IP66/IP68 (0.2 bar) M20 x 1.5/cable gland brass nickel-plated		Y
Note: The pressure limit for all PTFE coated versions is 16 bar (per manual).			Stainless steel double chamber / IP66/IP68 (0.2 bar) M20 x 1.5/cable gland brass nickel-plated		S
Electronics			Remote stainless steel single chamber housing, electropolished/IP66/IP67 with cable outlet IP68 (electronics separated by cable); M20 x 1.5/blind plug ¹⁰⁾		Z Q 2 A
Two-wire 4 ... 20 mA/HART	0		Remote plastic single chamber housing / IP66/IP67 with cable outlet IP68 (electronics separated by cable); M20 x 1.5/blind plug ¹⁰⁾		Z Q 2 B
Four-wire Modbus ³⁾¹³⁾	1				
Two-wire 4 ... 20 mA/HART with SIL qualification ⁹⁾	2		Lengths		
Four-wire 4 ... 20 mA/HART; 90 ... 253 V AC; 50/60 Hz ³⁾¹³⁾	3		Rod ø 8 mm (0.31 inch)/1.4435 (Basle standard 300 ... 4 000 mm)		
Four-wire 4 ... 20 mA/HART; 9.6 ... 48 V DC; 20 ... 42 V AC ³⁾¹³⁾	4		300 ... 1 000 mm (11.81 ... 39.37 inch) ⁶⁾		0
PROFIBUS PA ⁹⁾	5		1 001 ... 2 000 mm (39.41 ... 78.74 inch) ⁶⁾		1
FOUNDATION Fieldbus ⁹⁾	6		2 001 ... 3 000 mm (78.78 ... 118.11 inch) ⁶⁾		2
			3 001 ... 4 000 mm (118.15 ... 157.48 inch) ⁶⁾		3
Seal/Process temperature			Rod ø 10 mm (0.24 inch)/PFA (300 ... 4 000 mm)		
Without glass seal/-40 ... +150 °C (-40 ... +302 °F) ²⁾	A		300 mm (11.81 inch) ⁶⁾		9 R 1 A
FFKM (Kalrez 6221)/-20 ... 150 °C (-4 ... +302 °F) ⁴⁾	B		500 mm (19.69 inch) ⁶⁾		9 R 1 B
EPDM (Freudenberg 70 EPDM 291)/-20 ... 130 °C (-4 ... +266 °F) ⁴⁾	C		300 ... 1 000 mm (11.81 ... 39.37 inch) ⁶⁾		9 R 1 C
Housing/Protection/Cable			1 001 ... 5 000 mm (39.41 ... 78.74 inch) ⁶⁾		9 R 1 D
Note: for installation of remote display, 7ML5840, with LG two chamber housing options, contact PVC			2 001 ... 3 000 mm (78.78 ... 118.11 inch) ⁶⁾		9 R 1 E
Plastic IP66/IP67 M20 x 1.5/blind stopper	A		3 001 ... 4 000 mm (118.15 ... 157.48 inch) ⁶⁾		9 R 1 F
Plastic IP66/IP67 1/2" NPT/blind stopper	B		Cable ø 4 mm (0.16 inch)/PFA (500 ... 32 000 mm)		
Aluminum/IP66/IP68 (0.2 bar) M20 x 1.5/blind stopper	C		500 mm (9.69 inch)		9 R 1 G
Aluminum/IP66/IP68 (0.2 bar) 1/2" NPT/blind stopper	D		501 ... 1 000 mm (19.72 ... 39.37 inch)		9 R 1 H
Aluminum double chamber/IP66/IP68 (0.2 bar) M20 x 1.5/blind stopper	E		1 001 ... 2 000 mm (39.41 ... 78.74 inch)		9 R 1 J
Aluminum double chamber/IP66/IP68 (0.2 bar) 1/2" NPT/blind stopper	F		2 001 ... 4 000 mm (78.78 ... 157.40 inch)		9 R 1 K
Stainless steel (precision casting) 316L/IP66/IP68 (0.2 bar) M20 x 1.5/blind stopper	G		4 001 ... 5 000 mm (157.52 ... 196.85 inch)		9 R 1 L
Stainless steel (precision casting) 316L/IP66/IP68 (0.2 bar) 1/2" NPT/blind stopper	H		5 001 ... 10 000 mm (196.89 ... 393.70 inch)		9 R 1 M
Stainless steel (electropolished) 316L/IP66/IP68 (0.2 bar) M20 x 1.5/blind stopper	J		10 001 ... 15 000 mm (393.74 ... 590.55 inch)		9 R 1 N
Stainless steel (electropolished) 316L/IP66/IP68 (0.2 bar) 1/2" NPT/blind stopper	K		15 001 ... 20 000 mm (590.59 ... 787.40 inch)		9 R 1 P
Stainless steel double chamber/IP66/IP68 (0.2 bar) M20 x 1.5/blind stopper	L		20 001 ... 25 000 mm (787.44 ... 984.25 inch)		9 R 1 Q
Stainless steel double chamber/IP66/IP68 (0.2 bar) 1/2" NPT/blind stopper	M		25 001 ... 32 000 mm (984.29 ... 1 259.52 inch)		9 R 1 R
Aluminum/IP66/IP68 (0.2 bar) M20 x 1.5/cable gland stainless steel	N				

Level Measurement

Continuous level measurement
Guided wave radar transmitters

SITRANS LG series

Selection and Ordering data	Article No.	Ord. Code
SITRANS LG240	7ML5880-	
Guided Wave Radar sensor for Hygienic and corrosive continuous level and interface measurement of liquids.		
Exchange rod ø 8 mm (0.31 inch)/1.4435 (BN2), electropolished (Ra < 0.38 µm)		
300 ... 1 000 mm (11.81 ... 39.37 inch) ⁶⁾		9 R 2 A
1 001 ... 2 000 mm (39.41 ... 78.74 inch) ⁶⁾		9 R 2 B
2 001 ... 3 000 mm (78.78 ... 118.11 inch) ⁶⁾		9 R 2 C
3 001 ... 4 000 mm (118.15 ... 157.48 inch) ⁶⁾		9 R 2 D

Selection and Ordering data	Order code
Further designs (mandatory)	
Please add "-Z" to Article No. and specify Order code(s).	
Supplementary electronics	
Without	A00
Additional current output 4 ... 20 mA ¹⁰⁾	A01
Indicating/adjustment module	
Without	E00
Mounted	E01
Laterally mounted	E02
Language of display	
German	L00
English	L01
French	L02
Dutch	L03
Italian	L04
Spanish	L05
Portuguese	L06
Russian	L07
Chinese	L08
Japanese	L09
Operating instructions	
German	M00
English	M01
French	M02
Spanish	M03

Selection and Ordering data	Order code
Further designs (optional)	
Please add "-Z" to Article No. and specify Order code(s).	
Enter the total insertion length in plain text description	Y01
Enter the total length of rigid part (cable version only) range from 100 ... 1 000 mm	Y02
Cleaning included certificate: oil, grease and silicone free	W01
Remote electronic cable lengths: 2 m (6.6 ft). Only available with Housing options Q2A and Q2B	Y10
Remote electronic cable lengths: 5 m (16.4 ft). Only available with Housing options Q2A and Q2B	Y11
Remote electronic cable lengths: 10 m (32.8 ft). Only available with Housing options Q2A and Q2B	Y12
Identification label (measurement loop) stainless steel, 40 characters max, add in plain text. To add more than one line use a coma "," for line break.	Y17
Identification Label (measurement loop) foil, 40 characters max, add in plain text. To add more than one line use a coma "," for line break.	Y18
Material Inspection certificate 3.1 of EN 10204	C05
3.1-Inspection Certificate for instrument (EN 10204) ⁸⁾	C12
NACE0175 to 3.1 Material Certificate for material (EN10204 NACE MR 0175) (NACE not in scope for Hygienic process connections) ⁹⁾¹⁹⁾	D07
3.1-Inspection Certificate for instrument with test data (EN 10204) ⁸⁾	C25
2.2-Factory certificate for material (EN 10204) ⁸⁾	C15
Quality and test plan ⁸⁾	C26
Dye penetration test, results confirmed via a 3.1 certificate/instrument (EN10204) ⁸⁾	C13
X-ray test + 3.1 certificate/instrument ⁸⁾	C14
Positive material identification test + 3.1 certificate/instrument ⁸⁾	C16
Roughness test + 3.1 certificate/instrument ⁸⁾	C18
Pressure test + 3.1 certificate/instrument ⁸⁾	C31
Helium leak test + 3.1 certificate/instrument ⁸⁾	C32
Ferrite measuring accuracy to DIN 32514-1 + 3.1 certificate/instrument ⁸⁾	C60
Pressure test according to Norsok + 3.1 certificate/instrument ⁸⁾	C61
5 point calibration certificate (min. length 300 mm) ⁸⁾	C62

4

Selection and Ordering data	Article No.
Operating Instructions	
All literature is available to download for free, in a range of languages, at http://www.siemens.com/processinstrumentation/documentation	
Accessories	
SITRANS LG, GWR sensor Display Module	A5E34143449
SITRANS LG, two-wire 4 ... 20 mA/HART electronic	A5E35637821
SITRANS LG, USB communicator	A5E35192015
SITRANS LG, Mounting eye M12 x 20	PBD:51041448
SITRANS LG, Mounting spring	PBD:51041449
Siemens Intrinsically Safe Barrier (DC powered), ATEX II 1 G EEx ia	7NG4124-0AA00
SITRANS RD100, loop powered display - see Chapter 7	7ML5741-...
SITRANS RD200, universal input display with Modbus conversion - see Chapter 7	7ML5740-...
SITRANS RD300, dual line display with totalizer and linearization curve and Modbus conversion - see Chapter 7	7ML5744-...
SITRANS RD500 web, universal remote monitoring solution for instrumentation - see Chapter 7	7ML5750-...
For applicable back up point level switch - see point level measurement section	

Note: some configuration options are not available.

For restriction information see the online PIA configuration tool.

- 1) Some approvals are not available with Plastic and Stainless steel (electropolished) Housing/Protection/Cable options and certain glands.
- 2) Available only with Rod \varnothing 10 mm/PFA and Cable \varnothing 4 mm/PFA Length options.
- 3) Available only with Supplementary electronic option A00 and Indicating/adjustment module options E00, E01.
- 4) Not available with Remote Housing/Protection/Cable options Q2A and Q2B.
- 5) Not available with Electronic option 5.
- 6) Not available with Y02.
- 7) Available only with Electronic options 0, 2, and 6.
- 8) Listed Certificates are not available with all configurations, please contact factory for more information.
- 9) Available only with Supplementary electronic option A00.
- 10) Not available with Indicating/adjustment module option E02.
- 11) Available only with Electronics options 0, 2, and 5.
- 12) Some approvals are not available with Remote or Stainless steel (electropolished) Housing/Protection/Cable options and certain glands.
- 13) Available only with Double chamber, Metallic Housing/Protection/Cable options and certain glands.
- 14) Available only with Electronics options 0, 2, 5, 6.
- 15) Available only with Electronics options 0 and 2.
- 16) Available only with Electronics options 0 ... 4.
- 17) Not available with some Seal/Process Temperature options.
- 18) Available only with Electronic options 0, 2, 3, and 4.
- 19) Available only with 316L Probes. NACE is not available with coated, plated, or hygienic connections.

Note: Please consult manual for further detail.

Level Measurement

Continuous level measurement
Guided wave radar transmitters

SITRANS LG series

4

Selection and Ordering data	Article No.	Ord. Code	Selection and Ordering data	Article No.	Ord. Code
SITRANS LG250	7ML5881-		SITRANS LG250	7ML5881-	
A guided wave radar sensor for continuous level and interface measurement of liquids.			A guided wave radar sensor for continuous level and interface measurement of liquids.		
➤ Click on the Article No. for the online configuration in the PIA Life Cycle Portal.					
Approvals					
General purpose (CSA, FM, CE)	0 A		CSA (XP-IS) Class I, II, III, Div. 1, Groups A, B, C, D, E, F, G ⁽²⁾⁽⁸⁾⁽¹¹⁾⁽¹²⁾⁽¹³⁾	1 G	
Shipping approval ⁽⁴⁾⁽⁶⁾⁽⁷⁾⁽⁸⁾⁽¹³⁾	0 B		CSA (XP) Class I, II, III, Div. 1, Groups A, B, C, D, E, F, G ⁽⁸⁾⁽¹³⁾⁽¹⁴⁾⁽¹⁸⁾	1 H	
Overfill protection (WHG; VLAREM) ⁽⁹⁾⁽¹⁰⁾⁽¹³⁾	0 C		CSA (NI) Class I, II, III Div. 2, Groups A, B, C, D, F, G + Ship approval ⁽¹⁾⁽⁶⁾⁽¹³⁾	7 K	
ATEX II 1G, 1/2G, 2G Ex ia IIC T6 ⁽¹⁰⁾⁽¹³⁾	0 E		CSA (IS) Class I, II, III, Div. 1, Groups A, B, C, D, E, F, G + Ship approval ⁽⁶⁾⁽¹³⁾⁽¹⁶⁾	7 L	
ATEX II 1G, 1/2G, 2G Ex ia IIC + Overfill (WHG; VLAREM) ⁽¹⁰⁾⁽¹³⁾	0 F		CSA (XP-IS) Class I, II, III, Div. 1, Groups A, B, C, D, E, F, G + Ship approval ⁽⁶⁾⁽⁸⁾⁽¹¹⁾⁽³²⁾	7 M	
ATEX II 1G, 1/2G, 2G Ex ia IIC T6 + shipping approval ⁽⁴⁾⁽⁶⁾⁽⁷⁾⁽⁸⁾⁽¹³⁾	0 G		CSA (XP) Class I, II, III, Div. 1, Groups A, B, C, D, E, F, G + Ship approval ⁽⁶⁾⁽⁸⁾⁽¹³⁾⁽¹⁴⁾⁽¹⁸⁾	7 N	
ATEX II 1G, 1/2G, 2G Ex ia IIC + ATEX II 1D, 1/2D, 2D IP6x ⁽¹⁾⁽¹³⁾	0 H		NEPSI Ex ia IIC T6 ⁽⁵⁾⁽¹³⁾	2 A	
ATEX II 1/2G, 2G Ex d ia IIC T6 ⁽²⁾⁽⁸⁾⁽¹¹⁾⁽¹²⁾⁽¹³⁾	0 J		NEPSI Ex ia IIC T6 + DIP A20/21 TA T ^{(*)1)(13)}	2 B	
ATEX II 1/2G, 2G Ex d ia IIC + ATEX II 1/2D, 2D IP6x ⁽²⁾⁽⁸⁾⁽¹¹⁾⁽¹²⁾⁽¹³⁾	0 K		NEPSI Ex d ia IIC T6 ⁽²⁾⁽⁸⁾⁽¹¹⁾⁽¹³⁾	2 C	
ATEX II 1/2G, 2G Ex d IIC T6 ⁽¹⁾⁽¹¹⁾⁽¹⁴⁾	0 L		NEPSI Ex d ia IIC T6 + DIP A20/21 TA T ^{(*)2)(8)(11)(13)}	2 D	
ATEX II 1/2G, 2G Ex d IIC + ATEX II 1/2D, 2D IP6x ⁽¹⁾⁽¹¹⁾⁽¹³⁾⁽¹⁴⁾	0 M		NEPSI Ex d IIC T6 ⁽¹⁾⁽¹¹⁾⁽¹³⁾⁽¹⁴⁾	2 E	
ATEX II 1D, 1/2D, 2D IP6x T ⁽¹⁾⁽¹³⁾⁽¹⁴⁾	0 N		NEPSI Ex d IIC T6 + DIP A20/21 TA T ^{(*)1)(11)(13)(14)}	2 F	
ATEX II 1G, II 1/2G, II 2G Ex ia IIC T6...T1 Ga, Ga/Gb, Gb /IEC Ex ia IIC T6...T1 Ga, Ga/Gb, Gb ⁽¹³⁾	0 W		NEPSI DIP A20/21 TA T ^{(*)1)(13)(14)}	2 G	
ATEX II 1/2G, II 2G Ex db IIC T6 ... T1 Ga/Gb, Gb / IEC Ex db IIC T6 ... T1 Ga/Gb, Gb ⁽¹³⁾⁽¹⁴⁾⁽¹⁸⁾	1 K		INMETRO Ex ia IIC T6 ... T1 ⁽⁵⁾⁽¹³⁾	3 A	
ATEX II 1/2G, II 2G Ex d ia IIC T6...T1 Ga/Gb, Gb + Ship approval ⁽²⁾⁽⁶⁾⁽⁸⁾⁽¹¹⁾⁽¹²⁾⁽¹³⁾	7 A		INMETRO Ex t IIC T6 * IP6X, Da, Da/Db, Da/Dc, Db + Ex ia IIC T6, Ga, Ga/Gb ⁽¹⁾⁽¹¹⁾⁽¹³⁾	3 B	
ATEX II 1/2G, II 2G Ex db IIC T6...T1 Ga/Gb, Gb + Ship approval ⁽¹⁾⁽⁶⁾⁽⁸⁾⁽¹¹⁾⁽¹³⁾	7 B		INMETRO Ex d ia IIC T6 ... T1 ⁽²⁾⁽⁸⁾⁽¹¹⁾⁽¹³⁾	3 C	
IEC Ex ia IIC T6 ⁽¹⁰⁾⁽¹³⁾	0 P		INMETRO Ex t IIC T6 * IP6X, Da, Da/Db, Da/Dc, Db + Ex d ia IIC T6 Ga/Gb ⁽¹⁾⁽⁸⁾⁽¹¹⁾⁽¹³⁾	3 D	
IEC Ex ia IIC T6 + IEC IP6x T tD ⁽¹⁾⁽¹⁴⁾⁽¹⁵⁾	0 Q		INMETRO Ex d IIC T6 ... T1 ⁽¹⁾⁽¹¹⁾⁽¹³⁾⁽¹⁴⁾	3 E	
IEC Ex d ia IIC T6 ⁽²⁾⁽⁸⁾⁽¹¹⁾⁽¹²⁾⁽¹³⁾	0 R		INMETRO Ex t IIC T6 * IP6X, Da, Da/Db, Da/Dc, Db + Ex d IIC T6 Ga/Gb ⁽¹⁾⁽¹¹⁾⁽¹³⁾⁽¹⁴⁾	3 F	
IEC Ex d ia IIC T6 + IEC IP6x T tD ⁽²⁾⁽⁸⁾⁽¹¹⁾⁽¹²⁾⁽¹³⁾⁽¹⁵⁾	0 S		INMETRO Ex t IIC T6 * IP6X, Da, Da/Db, Da/Dc, Db ⁽¹⁾⁽¹¹⁾⁽¹³⁾⁽¹⁴⁾	3 G	
IEC Ex d IIC T6 ⁽¹⁾⁽¹¹⁾⁽¹⁴⁾	0 T		KOSHA Ex d IIC T6 ... T1 - KE ⁽¹⁾⁽¹¹⁾⁽¹³⁾⁽¹⁴⁾	4 A	
IEC Ex d IIC T6 + IEC IP6x T tD ⁽¹⁾⁽¹¹⁾⁽¹⁴⁾	0 U		Korea KC ex free area	6 A	
IEC Ex db IIC T6 ... T1 Ga/Gb, Gb + Ship approval ⁽¹⁾⁽⁶⁾⁽⁸⁾⁽¹¹⁾⁽¹³⁾⁽¹⁴⁾	7 C		GOST-R/EAC 0 Ex ia IIC T1 ... T6 X ⁽¹³⁾	5 A	
IEC Ex ia IIC T6...T1 Ga, Ga/Gb, Gb + Ship approval ⁽⁶⁾⁽⁸⁾⁽¹³⁾⁽¹⁶⁾	7 D		GOST-R/EAC 0 Ex ia IIC T1 ... T6 X + Ex t IIC T... IP66 ⁽¹⁾⁽¹³⁾	5 B	
IEC Ex d ia IIC T6...T1 Ga/Gb, Gb + Ship approval ⁽²⁾⁽⁶⁾⁽⁸⁾⁽¹¹⁾⁽¹³⁾⁽¹⁵⁾	7 E		GOST-R/EAC 1 Ex d ia IIC T1 ... T6 X ⁽²⁾⁽⁸⁾⁽¹¹⁾⁽¹³⁾	5 C	
FM (NI) Class I, Div. 2, Groups A, B, C, D ⁽³⁾⁽⁸⁾⁽¹³⁾⁽¹⁷⁾	1 A		GOST-R/EAC 1 Ex d ia IIC T1 ... T6 X + Ex t IIC T... IP66 ⁽²⁾⁽⁸⁾⁽¹¹⁾⁽¹³⁾	5 D	
FM (IS) Class I, II, III, Div. 1, Groups A, B, C, D, E, F ⁽⁵⁾⁽⁸⁾⁽¹³⁾	1 B		GOST-R/EAC 1 Ex d IIC T1 ... T6 X ⁽¹⁾⁽¹¹⁾⁽¹³⁾	5 E	
FM (XP-AIS) Class I, II, III, Div. 1, Groups A, B, C, D, E, F, G ⁽²⁾⁽⁸⁾⁽¹¹⁾⁽¹²⁾⁽¹³⁾	1 C		GOST-R/EAC 0 Ex d IIC T1 ... T6 X + Ex t IIC T... IP66 ⁽¹⁾⁽¹¹⁾⁽¹³⁾	5 F	
FM (XP) Class I, Div. 1, Groups A, B, C, D ⁽²⁾⁽¹¹⁾⁽¹³⁾⁽¹⁴⁾	1 D		GOST-R/EAC Ex t IIC T... IP66 ⁽¹⁾⁽¹³⁾	5 G	
FM (NI) Class I, II, III, Div. 2, Groups A, B, C, D, F, G + Ship approval ⁽⁶⁾⁽⁸⁾⁽¹³⁾⁽¹⁷⁾⁽³³⁾	7 F				
FM (IS) Class I, II, III, Div. 1, Groups A, B, C, D, E, F, G + Ship approval ⁽⁶⁾⁽⁸⁾⁽¹³⁾⁽¹⁶⁾	7 G				
FM (XP-AIS) Class I, Div. 1, Groups A, B, C, D, + Ship approval ⁽⁶⁾⁽⁸⁾⁽¹¹⁾⁽¹³⁾⁽¹⁶⁾	7 H				
FM (XP) Class I, Div. 1, Groups A, B, C, D + Ship approval ⁽²⁾⁽⁶⁾⁽⁸⁾⁽¹³⁾⁽¹⁴⁾	7 J				
CSA (NI) Class I, Div. 2, Groups A, B, C, D (DIP) Class II, III, Div. 1, Groups E, F, G ⁽¹⁾	1 E				
CSA (IS) Class I, II, III, Div. 1, Groups A, B, C, D, E, F, G ⁽⁵⁾⁽¹³⁾	1 F				
			Note: Version/Material, Process fitting/ Material, and Length options are available only with options of corresponding type.		
			Probe version/Material		
			Probe exchangeable cable ø 2 mm (0.08 inch) with gravity weight/316L ⁽⁹⁾⁽¹⁹⁾⁽²⁰⁾	A	
			Probe exchangeable cable ø 2 mm (0.08 inch) center weight/316L ⁽⁹⁾⁽¹⁹⁾⁽²⁰⁾	B	
			Probe exchangeable cable ø 4 mm (0.16 inch) with gravity weight/316L ⁽⁹⁾⁽¹⁹⁾⁽²⁰⁾	C	
			Probe exchangeable cable ø 4 mm (0.16 inch) with center weight/316L ⁽⁹⁾⁽¹⁹⁾⁽²⁰⁾	D	
			Probe exchangeable rod ø 8 mm (0.31 inch)/316L ⁽⁹⁾⁽¹⁹⁾	E	
			Probe exchangeable rod ø 12 mm (0.47 inch)/316L ⁽⁹⁾⁽¹⁹⁾	F	

Selection and Ordering data	Article No.	Ord. Code	Selection and Ordering data	Article No.	Ord. Code
SITRANS LG250	7ML5881-		SITRANS LG250	7ML5881-	
A guided wave radar sensor for continuous level and interface measurement of liquids.			A guided wave radar sensor for continuous level and interface measurement of liquids.		
Probe coax version ø 21.3 mm (0.84 inch) with single hole/316L ⁹⁾¹⁹⁾²⁰⁾	G		Flange 1 1/2" 150 lb RF, ASME B16.5/316L	3 6	
Probe coax version ø 21.3 mm (0.84 inch) with multiple hole/316L ¹⁹⁾²⁰⁾	H		Flange 2" 150 lb RF, ASME B16.5/316L	3 7	
Probe coax version ø 42.2 mm (1.66 inch) with multiple hole/316L ⁹⁾¹⁹⁾²⁰⁾	K		Flange 2" 300 lb RF, ASME B16.5/316L	3 8	
Probe exchangeable cable ø 4 mm (0.16 inch) with gravity weight/Alloy C22 (2.4602) ⁹⁾	L		Flange 3" 150 lb RF, ASME B16.5/316L	4 0	
Probe exchangeable cable ø 4 mm (0.16 inch) with centre weight/Alloy C22 (2.4602) ⁹⁾	M		Flange 3" 300 lb RF, ASME B16.5/316L	4 1	
Probe exchangeable rod ø 8 mm (0.31 inch)/Alloy C22 (2.4602) ⁹⁾	N		Flange 4" 150 lb RF, ASME B16.5/316L	4 2	
Probe exchangeable rod ø 12 mm (0.47 inch)/Alloy C22 (2.4602) ⁹⁾	P		Flange 4" 300 lb RF, ASME B16.5/316L	4 3	
Probe coax version ø 21.3 mm (0.84 inch) with multiple hole/Alloy C22 (2.4602) ⁹⁾	Q		Flange 6" 150 lb RF, ASME B16.5/316L	4 4	
Probe coax version ø 42.2 mm (1.66 inch) with multiple hole/Alloy C22 (2.4602) ⁹⁾	R		Flange 6" 300 lb RF, ASME B16.5/316L	4 5	
Probe exchangeable rod ø 8 mm (0.31 inch)/Duplex (1.4462) ⁹⁾	S		Thread G 3/4" PN 40, DIN3852-A / Alloy C22 (2.4602)	4 6	
Exchangeable rod ø 12 mm (0.47 inch)/Alloy C22 and 400 (2.4360) ⁹⁾	T		Thread G 1" PN 40, DIN 3852-A/ Alloy C22 (2.4602)	4 7	
Exchangeable coated cable ø 4 mm with uncoated centering weight/PFA and 316 ²⁾¹⁾²⁴⁾³⁰⁾³⁵⁾³⁶⁾	U		Thread G 1 1/2" PN 40, DIN 3852-A/ Alloy C22 (2.4602)	4 8	
Process fitting/Material			Thread 1 1/2" NPT PN 40, ASME B1.20.1/ Alloy C22 (2.4602)	5 0	
Thread G 3/4" (DIN 3852-A) PN 6/316L	0 0		Flange DN 50 PN 40 Form C, DIN 2501/ 316L with Alloy C22 (2.4602) coating	5 1	
Thread 3/4" NPT (ASME B1.20.1) PN 6/316L	0 1		Flange DN 50 PN 40 Form B1, EN 1092-1/ 316L with Alloy C22 (2.4602) coating	5 2	
Thread G 3/4" (DIN 3852-A) PN 40/316L	0 2		Flange DN 80 PN 40 Form B1, EN 1092-1/ 316L with Alloy C22 (2.4602) coating	5 3	
Thread 3/4" NPT (ASME B1.20.1) PN 40/316L	0 3		Flange DN 100 PN 40 Form B1, EN 1092-1/ 316L with Alloy C22 (2.4602) coating	5 4	
Thread G 3/4" (DIN 3852-A) PN 100 / 316L ²²⁾	0 4		Flange DN 150 PN 16 Form B1, EN 1092-1/ 316L with Alloy C22 (2.4602) coating	5 5	
Thread 3/4" NPT (ASME B1.20.1) PN 100/ 316L ²²⁾	0 5		Flange DN 200 PN 16 Form B1, EN 1092-1/ 316L with Alloy C22 (2.4602) coating	5 6	
Thread G 1" (DIN 3852-A) PN 40/316L	0 6		Flange 2" 150 lb RF, ASME B16.5/316L with Alloy C22 (2.4602) coating	5 7	
Thread 1" NPT (ASME B1.20.1) PN 40/316L	0 7		Flange 2" 300 lb RF, ASME B16.5/316L with Alloy C22 (2.4602) coating	5 8	
Thread G 1" (DIN 3852-A) PN 100/316L ²²⁾	0 8		Flange 3" 150 lb RF, ASME B16.5/316L with Alloy C22 (2.4602) coating	6 0	
Thread 1" NPT (ASME B1.20.1) PN 100/316L ²²⁾	1 0		Flange 4" 150 lb RF, ASME B16.5/316L with Alloy C22 (2.4602) coating	6 1	
Thread G 1 1/2" (DIN 3852-A) PN 40/316L	1 1		Flange 4" 300 lb RF, ASME B16.5/316L with Alloy C22 (2.4602) coating	6 2	
Thread 1 1/2" NPT (ASME B1.20.1) PN 40/316L	1 2		Flange 6" 150 lb RF, ASME B16.5/316L with Alloy C22 (2.4602) coating	6 3	
Thread G 1 1/2" (DIN 3852-A) PN 100/316L ²²⁾	1 3		Flange 6" 300 lb RF, ASME B16.5/316L with Alloy C22 (2.4602) coating	6 4	
Thread 1 1/2" NPT (ASME B1.20.1) PN 100/ 316L ²²⁾	1 4		Thread G 3/4" (DIN 3852-A) PN 40/Duplex 1.4462	6 5	
Thread 2 NPT PN 40, ASME B1.20.1/316L ²³⁾²⁴⁾	1 5		Flange DN 80 PN 40 Form F, DIN 2501/Duplex (1.4462)	6 6	
Flange DN 25 PN 40 Form C, DIN 2501/316L	2 0		Flange DN 50 PN 40 Form B1, EN 1092-1/ Duplex (1.4462)	6 7	
Flange DN 25 PN 40 Form F, DIN 2501/316L	2 1		Flange 1" 150 lb RF, ASME16.5/Duplex (1.4462)	6 8	
Flange DN 40 PN 40 Form C, DIN 2501/316L	2 2		Flange 1 1/2" 150 lb RF, ASME B16.5/Duplex (1.4462)	7 0	
Flange DN 50 PN 40 Form C, DIN 2501/316L	2 3		Flange 2" 150 lb RF, ASME B16.5/Duplex (1.4462)	7 1	
Flange DN 50 PN 40 Form V13, DIN 2513/316L	2 4		Flange 2" 300 lb RF, ASME B16.5/Duplex (1.4462)	7 2	
Flange DN 80 PN 40 Form C, DIN 2501/316L	2 5		Flange 2" 600 lb RF, ASME B16.5/Duplex (1.4462)	7 3	
Flange DN 80 PN 40 Form V13, DIN 2501/316L	2 6		Flange 3" 150 lb RF, ASME B16.5/Duplex (1.4462)	7 4	
Flange DN 100 PN 16 Form C, DIN 2501/316L	2 7		Flange 3" 300 lb RF, ASME B16.5/Duplex (1.4462)	7 5	
Flange DN 100 PN 16 Form V13, DIN 2501/ 316L	2 8				
Flange DN 100 PN 40 Form C, DIN 2501 /316L	3 0				
Flange DN 100 PN 40 Form V13, DIN 2513/ 316L	3 1				
Flange DN 150 PN 16 Form C, DIN 2501/316L	3 2				
Flange DN 50 PN 40 EN 1092-1 Form B1/316L	3 3				
Flange DN 80 PN 40 EN 1092-1 Form B1/316L	3 4				
Flange 1" 150 lb RF, ASME B16.5/316L	3 5				

Level Measurement

Continuous level measurement
Guided wave radar transmitters

SITRANS LG series

Selection and Ordering data	Article No.	Ord. Code	Selection and Ordering data	Article No.	Ord. Code
SITRANS LG250	7ML5881-		SITRANS LG250	7ML5881-	
A guided wave radar sensor for continuous level and interface measurement of liquids.			A guided wave radar sensor for continuous level and interface measurement of liquids.		
Flange 4" 150 lb RF, ASME B16.5/Duplex (1.4462)	7 6		Electronics		
Flange 4" 150 lb FF, ASME B16.5/Duplex (1.4462)	7 7		Two-wire 4 ... 20 mA/HART	0	
Flange 4" 300 lb RF, ASME B16.5/Duplex (1.4462)	7 8		Four-wire Modbus ²⁾⁸⁾¹¹⁾	1	
Flange 4" 600 lb RF, ASME B16.5/Duplex (1.4462)	8 0		Two-wire 4 ... 20 mA/HART with SIL qualification ⁹⁾¹⁰⁾	2	
Thread 1 1/2" NPT PN 40, ASME B1.20.1/ Alloy 400 (2.4360)	8 1		Four-wire 4 ... 20 mA/HART; 90 ... 253 V AC; 50/60Hz ²⁾⁸⁾¹¹⁾³⁴⁾	3	
Flange 2" 150 lb RF, ASME B16.5/Alloy 400 (2.4360)	8 2		Four-wire 4 ... 20 mA/HART; 9.6 ... 48 V DC; 20 ... 42 V AC ²⁾⁸⁾¹¹⁾³⁴⁾	4	
Flange 2" 300 lb RF, ASME B16.5/Alloy 400 (2.4360) solid	8 3		PROFIBUS PA ⁵⁾⁸⁾	5	
Flange 3" 150 lb RF, ASME B16.5/Alloy 400 (2.4360)	8 4		FOUNDATION Fieldbus ⁵⁾⁸⁾	6	
Flange 3" 300 lb RF, ASME B16.5/Alloy 400 (2.4360)	8 5		Seal/Second line of defense/ Process temperature		
Flange 3" 300 lb RJF, ASME B16.5/Alloy 400 (2.4360)	8 6		FKM (SHS FPM 70C3 GLT)/without glass seal/-40 ... +80 °C (-40 ... +176 °F)	A	
Flange 4" 150 lb RF, ASME B16.5/Alloy 400 (2.4360)	8 7		FKM (SHS FPM 70C3 GLT)/without glass seal/-40 ... +150 °C (-40 ... +302 °F)	B	
Flange 4" 300 lb RF, ASME B16.5/Alloy 400 (2.4360)	8 8		FKM (SHS FPM 70C3 GLT)/with glass seal/-40 ... +150 °C (-40 ... +302 °F) ²⁶⁾	C	
Flange DN 25 PN 40 Form C, DIN 2501/ Alloy C22 (2.4602) solid	9 0	L 1 A	EPDM (A+P 75.5/KW75F)/without glass seal/-40 ... +80 °C (-40 ... +176 °F)	D	
Flange DN 25 PN 40 Form B1, EN 1092-1/ Alloy C22 (2.4602) solid	9 0	L 1 B	EPDM (A+P 75.5/KW75F)/with glass seal/-40 ... +150 °C (-40 ... +302 °F) ²⁶⁾	E	
Flange DN 80 PN 40 Form B1, EN 1092-1/ Alloy C22 (2.4602) solid	9 0	L 1 C	FFKM (Kalrez 6375)/with glass seal/-20 ... +200 °C (-4 ... +392 °F) ²⁶⁾	F	
Flange 1" 150 lb RF, ASME B16.5/ Alloy C22 (2.4602) solid	9 0	L 1 D	EPDM (A+P 75.5/KW75F)/without glass seal/-40 ... +80 °C (-40 ... +176 °F)	G	
Flange 1 1/2" 150 lb RF, ASME B16.5/ Alloy C22 (2.4602) solid	9 0	L 1 E	EPDM (A+P 75.5/KW75F)/without glass seal/-40 ... +150 °C (-40 ... +302 °F) ²⁶⁾	H	
Flange 1 1/2" 300 lb RF, ASME B16.5/ Alloy C22 (2.4602) solid	9 0	L 1 F	EPDM (A+P 75.5/KW75F)/with glass seal/-40 ... +150 °C (-40 ... +302 °F) ²⁶⁾	J	
Flange 2" 150 lb RF, ASME B16.5/ Alloy C22 (2.4602) solid	9 0	L 1 G	Silicone FEP coated (A+P FEP-O-SEAL)/ without glass seal/-40 ... +80 °C (-40 ... +176 °F)	K	
Flange 2" 300 lb RF, ASME B16.5/ Alloy C22 (2.4602) solid	9 0	L 1 H	Silicone FEP coated (A+P FEP-O-SEAL)/ without glass seal/-40 ... +150 °C (-40 ... +302 °F)	L	
Flange 2" 600 lb RF, ASME B16.5/ Alloy C22 (2.4602) solid	9 0	L 1 J	Silicone FEP coated (A+P FEP-O-SEAL)/with glass seal/-40 ... +150 °C (-40 ... +302 °F) ²⁶⁾	M	
Flange 2" 1 500 lb RJF, ASME B16.5/ Alloy C22 (2.4602) solid	9 0	L 1 K	With borosilicate glass lead through for volatile substances, e.g. ammonia/with glass seal/-60 ... +150 °C (-76 ... +302 °F) ²⁶⁾	N	
Flange 3" 150 lb RF, ASME B16.5/ Alloy C22 (2.4602) solid	9 0	L 1 L	FFKM (Kalrez 6375)/without glass seal/-20 ... +200 °C (-4 ... +392 °F)	P	
Flange 3" 300 lb RF, ASME B16.5/ Alloy C22 (2.4602) solid	9 0	L 1 M	FKM (SHS FPM 70C3 GLT)/with glass seal/-40 ... 80 °C (-40 ... +176 °F) ²⁶⁾	Q	
Flange 3" 300 lb RF, ASME B16.5/316L with Alloy C22 (2.4602) coating	9 0	L 1 N	Housing/Protection/Cable		
Flange 4" 150 lb RF, ASME B16.5/ Alloy C22 (2.4602) solid	9 0	L 1 P	Note: for installation of remote display, 7ML5840, with LG two chamber housing options, contact PVC		
Flange 4" 150 lb FF, ASME B16.5/ Alloy C22 (2.4602) solid	9 0	L 1 Q	Plastic IP66/IP67 M20 x 1.5/blind stopper ⁸⁾¹¹⁾	A	
Flange 4" 300 lb RF, ASME B16.5/ Alloy C22 (2.4602) solid	9 0	L 1 R	Plastic IP66/IP67 1/2" NPT/blind stopper ⁸⁾¹¹⁾	B	
Flange 4" 300 lb RJF, ASME B16.5/ Alloy C22 (2.4602) solid	9 0	L 1 S	Plastic 2-chamber/IP66/IP67/M20 x 1.5/blind stopper	G	
Flange 4" 300 lb LT, ASME B16.5/ Alloy C22 (2.4602) solid	9 0	L 1 T	Plastic 2-chamber/IP66/IP67 /1/2" NPT/blind stopper	H	
Flange 4" 600 lb RJF, ASME B16.5/ Alloy C22 (2.4602) solid	9 0	L 1 U	Aluminum/IP66/IP68 (0.2 bar) M20 x 1.5/ Blind stopper ⁸⁾¹¹⁾	C	
Flange 6" 150 lb RF, ASME B16.5/ Alloy C22 (2.4602) solid	9 0	L 1 V	Aluminum/IP66/IP68 (0.2 bar) 1/2" NPT/Blind stopper ⁸⁾¹¹⁾	D	
Flange 2 1/2" 600 lb RF, Masoneilan/ Alloy C22 (2.4602) solid	9 0	L 1 W			
Flange 2" 600 lb RF, ASME B16.5/316/316 L ²⁴⁾	9 0	L 1 X			
Flange 3" 600 lb RF, ASME B16.5/316/316 L ²⁴⁾²⁵⁾	9 0	L 1 Y			

4

Selection and Ordering data	Article No.	Ord. Code	Selection and Ordering data	Article No.	Ord. Code
SITRANS LG250	7ML5881-		SITRANS LG250	7ML5881-	
A guided wave radar sensor for continuous level and interface measurement of liquids.			A guided wave radar sensor for continuous level and interface measurement of liquids.		
Aluminum double chamber/IP66/IP68 (0.2 bar) M20 x 1.5 / Blind stopper		E	Lengths		
Aluminum double chamber/IP66/IP68 (0.2 bar) 1/2" NPT/Blind stopper		F	<u>Rod ø 8 mm/316L</u>		
Stainless Steel (precision casting) 316L/IP66/IP68 (0.2 bar) M20 x 1.5/Blind stopper ⁹⁾¹¹⁾		L	300 ... 1 000 mm (11.81 ... 39.37 inch) ²⁹⁾	0	
Stainless Steel (precision casting) 316L/IP66/IP68 (0.2 bar) 1/2" NPT/Blind stopper ⁸⁾¹¹⁾		M	1 001 ... 2 000 mm (39.41 ... 78.74 inch) ²⁹⁾	1	
Stainless Steel (electropolished) 316L/IP66/IP68 (0.2 bar) M20 x 1.5/Blind stopper ⁸⁾¹¹⁾		N	2 001 ... 3 000 mm (78.78 ... 118.11 inch) ²⁹⁾	2	
Stainless Steel (electropolished) 316L/IP66/IP68 (0.2 bar) 1/2" NPT/Blind stopper ⁸⁾¹¹⁾		P	3 001 ... 4 000 mm (118.15 ... 157.48 inch) ²⁹⁾	3	
Stainless Steel double chamber/IP66/IP68 (0.2 bar) M20 x 1.5/Blind stopper		Q	4 001 ... 5 000 mm (157.52 ... 196.85 inch) ²⁹⁾	4	
Stainless Steel double chamber/IP66/IP68 (0.2 bar) 1/2" NPT/Blind stopper		R	5 001 ... 6 000 mm (196.89 ... 236.22 inch) ²⁹⁾	5	
Aluminum/IP66/IP68 (0.2 bar) M20 x 1.5/ Cable gland stainless steel ⁹⁾¹¹⁾		S	<u>Rod ø 8 mm/Duplex</u>		
Aluminum double chamber/IP66/IP68 (0.2 bar) M20 x 1.5/Cable gland stainless steel		T	300 ... 1 000 mm (11.81 ... 39.37 inch) ²⁹⁾	9 R 1 A	
Stainless Steel (precision casting) 316L/IP66/IP68 (0.2 bar) M20 x 1.5/Cable gland stainless steel ¹¹⁾²⁸⁾		U	1 001 ... 2 000 mm (39.41 ... 78.74 inch) ²⁹⁾	9 R 1 B	
Stainless Steel (electropolished) 316L/IP66/IP68 (0.2 bar) M20 x 1.5/Cable gland stainless steel ¹¹⁾²⁸⁾		V	2 001 ... 3 000 mm (78.78 ... 118.11 inch) ²⁹⁾	9 R 1 C	
Stainless steel single chamber (precision casting)/IP66/IP68 (0.2 bar) M20 x 1.5/ Cable gland brass nickel-plated		W	3 001 ... 4 000 mm (118.15 ... 157.48 inch) ²⁹⁾	9 R 1 D	
Aluminum single chamber/IP66/IP68 (0.2 bar) M20 x 1.5/Cable gland brass nickel-plated		X	4 001 ... 5 000 mm (157.52 ... 196.85 inch) ²⁹⁾	9 R 1 E	
Stainless steel single chamber (precision casting)/IP66/ IP68 (0.2 bar) M20 x 1.5/ Cable gland brass nickel-plated		Y	5 001 ... 6 000 mm (196.89 ... 236.22 inch) ²⁹⁾	9 R 1 F	
Stainless steel double chamber / IP66/ IP68 (0.2 bar) M20 x 1.5 / Cable gland brass nickel-plated		J	<u>Rod ø 8 mm or ø 12 mm /Alloy C22 and 400</u>		
Aluminum single chamber/IP66/IP68 (0.2 bar) with M20 x 1.5/Plug connector Harting HAN 7D (straight)		Z Q 1 A	300 ... 1 000 mm (11.81 ... 39.37 inch) ²⁹⁾	9 R 1 J	
Aluminum single chamber/IP66/IP68 (0.2 bar) with M20 x 1.5/Special HARTING plug (bent) according to Tier One (ZB7555)		Z Q 1 B	1 001 ... 2 000 mm (39.41 ... 78.74 inch) ²⁹⁾	9 R 1 K	
Remote stainless steel single chamber housing, electropolished/IP66/IP67 with cable outlet IP68 (electronics separated by cable); M20 x 1.5/blind plug ¹⁾²⁷⁾		Z Q 2 A	2 001 ... 3 000 mm (78.78 ... 118.11 inch) ²⁹⁾	9 R 1 L	
Remote plastic single chamber housing / IP66/IP67 with cable outlet IP68 (electronics separated by cable); M20 x 1.5/ blind plug ¹⁾²⁷⁾		Z Q 2 B	3 001 ... 4 000 mm (118.15 ... 157.48 inch) ²⁹⁾	9 R 1 M	
			4 001 ... 5 000 mm (157.52 ... 196.85 inch) ²⁹⁾	9 R 1 N	
			5 001 ... 6 000 mm (196.89 ... 236.22 inch) ²⁹⁾	9 R 1 P	
			<u>Rod ø 12 mm/316L</u>		
			300 ... 1 000 mm (11.81 ... 39.37 inch) ²⁹⁾	9 R 2 A	
			1 001 ... 2 000 mm (39.41 ... 78.74 inch) ²⁹⁾	9 R 2 B	
			2 001 ... 3 000 mm (78.78 ... 118.11 inch) ²⁹⁾	9 R 2 C	
			3 001 ... 4 000 mm (118.15 ... 157.48 inch) ²⁹⁾	9 R 2 D	
			<u>Cable lengths ø 2 or 4 mm/316L</u>		
			501 ... 1 000 mm (19.72 ... 39.37 inch)	9 R 2 E	
			1 000 ... 5 000 mm (39.37 ... 196.85 inch)	9 R 2 F	
			5 001 ... 10 000 mm (196.89 ... 393.70 inch)	9 R 2 G	
			10 001 ... 15 000 mm (393.74 ... 590.55 inch)	9 R 2 H	
			15 001 ... 20 000 mm (590.59 ... 787.40 inch)	9 R 2 J	
			20 001 ... 25 000 mm (787.44 ... 984.25 inch)	9 R 2 K	
			25 001 ... 30 000 mm (984.29 ... 1 181.10 inch)	9 R 2 L	
			30 001 ... 35 000 mm (1 181.14 ... 1 377.95 inch)	9 R 2 M	
			35 001 ... 40 000 mm (1 377.99 ... 1 574.80 inch)	9 R 2 N	
			40 001 ... 45 000 mm (1 574.84 ... 1 771.65 inch)	9 R 2 P	
			45 001 ... 50 000 mm (1 771.69 ... 1 968.50 inch)	9 R 2 Q	
			50 001 ... 55 000 mm (1 968.54 ... 2 165.35 inch)	9 R 2 R	
			55 001 ... 60 000 mm (2 165.39 ... 2 362.20 inch)	9 R 2 S	
			60 001 ... 65 000 mm (2 362.24 ... 2 559.06 inch)	9 R 2 T	
			65 001 ... 70 000 mm (2 559.09 ... 2 755.91 inch)	9 R 2 U	
			70 001 ... 75 000 mm (2 755.94 ... 2 952.76 inch)	9 R 2 V	

Level Measurement

Continuous level measurement
Guided wave radar transmitters

SITRANS LG series

Selection and Ordering data	Article No.	Ord. Code	Selection and Ordering data	Article No.	Ord. Code
SITRANS LG250	7ML5881-		SITRANS LG250	7ML5881-	
A guided wave radar sensor for continuous level and interface measurement of liquids.			A guided wave radar sensor for continuous level and interface measurement of liquids.		
<u>Cable Lengths \varnothing 2 mm or \varnothing 4 mm/Alloy C22</u>			<u>Cable lengths \varnothing 4 mm PFA</u>		
501 ... 1 000 mm (19.72 ... 39.37 inch)		9 R 4 A	300 ... 1 000 mm (12 ... 39.37 inch)		9 R 6 A
1 001 ... 5 000 mm (39.41 ... 196.85 inch)		9 R 4 B	1 001 ... 2 000 mm (39.41 ... 78.74 inch)		9 R 6 B
5 001 ... 10 000 mm (196.89 ... 393.70 inch)		9 R 4 C	2 001 ... 5 000 mm (78.77 ... 196.85 inch)		9 R 6 C
10 001 ... 15 000 mm (393.74 ... 590.55 inch)		9 R 4 D	5 001 ... 10 000 mm (196.89 ... 393.70 inch)		9 R 6 D
15 001 ... 20 000 mm (590.59 ... 787.40 inch)		9 R 4 E	10 001 ... 15 000 mm (393.74 ... 590.55 inch)		9 R 6 E
20 001 ... 25 000 mm (787.44 ... 984.25 inch)		9 R 4 F	15 001 ... 20 000 mm (590.59 ... 787.40 inch)		9 R 6 F
25 001 ... 30 000 mm (984.29 ... 1 181.10 inch)		9 R 4 G	20 001 ... 25 000 mm (787.44 ... 984.25 inch)		9 R 6 G
30 001 ... 35 000 mm (1 181.14 ... 1 377.95 inch)		9 R 4 H	25 001 ... 32 000 mm (984.29 ... 1 259.84 inch)		9 R 6 H
35 001 ... 40 000 mm (1 377.99 ... 1 574.80 inch)		9 R 4 J			
40 001 ... 45 000 mm (1 574.84 ... 1 771.65 inch)		9 R 4 K			
45 001 ... 50 000 mm (1 771.69 ... 1 968.50 inch)		9 R 4 L			
50 001 ... 55 000 mm (1 968.54 ... 2 165.35 inch)		9 R 4 M			
55 001 ... 60 000 mm (2 165.39 ... 2 362.20 inch)		9 R 4 N			
60 001 ... 65 000 mm (2 362.24 ... 2 559.06 inch)		9 R 4 P			
65 001 ... 70 000 mm (2 559.09 ... 2 755.91 inch)		9 R 4 Q			
70 001 ... 75 000 mm (2 755.94 ... 2 952.76 inch)		9 R 4 R			
<u>Coax \varnothing 21.3 mm/316L</u>					
300 ... 1 000 mm (11.81 ... 39.37 inch) ²⁹⁾		9 R 3 A			
1 001 ... 2 000 mm (39.41 ... 78.74 inch) ²⁹⁾		9 R 3 B			
2 001 ... 3 000 mm (78.78 ... 118.11 inch) ²⁹⁾		9 R 3 C			
3 001 ... 4 000 mm (118.15 ... 157.48 inch) ²⁹⁾		9 R 3 D			
4 001 ... 5 000 mm (157.52 ... 196.85 inch) ²⁹⁾		9 R 3 E			
5 001 ... 6 000 mm (196.89 ... 236.22 inch) ²⁹⁾		9 R 3 F			
<u>Coax \varnothing 21.3 mm/Alloy C22</u>					
300 ... 1 000 mm (11.81 ... 39.37 inch) ²⁹⁾		9 R 5 A			
1 001 ... 2 000 mm (39.41 ... 78.74 inch) ²⁹⁾		9 R 5 B			
2 001 ... 3 000 mm (78.78 ... 118.11 inch) ²⁹⁾		9 R 5 C			
3 001 ... 4 000 mm (118.15 ... 157.48 inch) ²⁹⁾		9 R 5 D			
4 001 ... 5 000 mm (157.52 ... 196.85 inch) ²⁹⁾		9 R 5 E			
5 001 ... 6 000 mm (196.89 ... 236.22 inch) ²⁹⁾		9 R 5 F			
<u>Coax \varnothing 42.2 mm/316L</u>					
300 ... 1 000 mm (11.81 ... 39.37 inch) ²⁹⁾		9 R 3 G			
1 001 ... 2 000 mm (39.41 ... 78.74 inch) ²⁹⁾		9 R 3 H			
2 001 ... 3 000 mm (78.78 ... 118.11 inch) ²⁹⁾		9 R 3 J			
3 001 ... 4 000 mm (118.15 ... 157.48 inch) ²⁹⁾		9 R 3 K			
4 001 ... 5 000 mm (157.52 ... 196.85 inch) ²⁹⁾		9 R 3 L			
5 001 ... 6 000 mm (196.89 ... 236.22 inch) ²⁹⁾		9 R 3 M			
<u>Coax \varnothing 42.2 mm/Alloy C22</u>					
300 ... 1 000 mm (11.81 ... 39.37 inch) ²⁹⁾		9 R 5 G			
1 001 ... 2 000 mm (39.41 ... 78.74 inch) ²⁹⁾		9 R 5 H			
2 001 ... 3 000 mm (78.78 ... 118.11 inch) ²⁹⁾		9 R 5 J			
3 001 ... 4 000 mm (118.15 ... 157.48 inch) ²⁹⁾		9 R 5 K			
4 001 ... 5 000 mm (157.52 ... 196.85 inch) ²⁹⁾		9 R 5 L			
5 001 ... 6 000 mm (196.89 ... 236.22 inch) ²⁹⁾		9 R 5 M			
			Selection and Ordering data	Order code	
			<i>Further designs (mandatory)</i>		
			Please add "-Z" to Article No. and specify Order code(s).		
			Supplementary electronics		
			Without	A00	
			Additional current output 4 ... 20 mA ¹¹⁾	A01	
			Dimensions centering weight (diameter/height)		
			Without	B00	
			\varnothing 40/30 mm	B01	
			\varnothing 45/30 mm (for 2 inch tubes)	B02	
			\varnothing 75/30 mm (for 3 inch tubes)	B03	
			\varnothing 95/30 mm (for 4 inch tubes)	B04	
			\varnothing 40 mm/30 mm	B05	
			\varnothing 1.57/1.18 inch (for 2 inch Schedule 160)		
			\varnothing 45 mm/30 mm (for 2 inch tubes)	B06	
			\varnothing 1.77/1.18 inch (for 2 inch Schedule 40/80)		
			\varnothing 75 mm/30 mm (for 3 inch tubes)	B07	
			\varnothing 2.95/1.18 inch (for 3 inch Schedule 10/40)		
			\varnothing 95 mm/30 mm (for 4 inch tubes)	B08	
			\varnothing 3.74/1.18 inch (for 4 inch Schedule 80)		
			Rod mounted		
			Without Rod, applicable for coax or cable probe types only	C00	
			Mounted	C01	
			Not mounted	C02	
			Indicating/adjustment module		
			Without	E00	
			Mounted	E01	
			Laterally mounted	E02	
			Language of display		
			German	L00	
			English	L01	
			French	L02	
			Dutch	L03	
			Italian	L04	
			Spanish	L05	
			Portuguese	L06	
			Russian	L07	
			Chinese	L08	
			Japanese	L09	
			Operating instructions		
			German	M00	
			English	M01	
			French	M02	
			Spanish	M03	

Selection and Ordering data	Order code	Selection and Ordering data	Article No
Further designs (optional)		Operating Instructions	
Please add "-Z" to Article No. and specify Order code(s).		All literature is available to download for free, in a range of languages, at http://www.siemens.com/processinstrumentation/documentation	
Enter the total insertion length in plain text description	Y01	Accessories	
Enter the total length of rigid part (cable version only) range from 100 ... 1 000 mm	Y02	SITRANS LG, GWR sensor Display Module	A5E34143449
Remote electronic cable lengths: 2 m (6.6 ft). Only available with Housing options Q2A and Q2B	Y10	SITRANS LG, two-wire 4 ... 20 mA/HART electronic	A5E35637821
Remote electronic cable lengths: 5 m (16.4 ft). Only available with Housing options Q2A and Q2B	Y11	SITRANS LG, USB communicator	A5E35192015
Remote electronic cable lengths: 10 m (32.8 ft). Only available with Housing options Q2A and Q2B	Y12	SITRANS LG, Mounting eye M8 x 20	A5E36653574
Identification Label (measurement loop) stainless steel, 40 characters max, add in plain text. To add more than one line use a coma "," for line break.	Y17	SITRANS LG, Mounting eye M12 x 20	PBD:51041448
Identification Label (measurement loop) foil, 40 characters max, add in plain text. To add more than one line use a coma "," for line break.	Y18	SITRANS LG, Mounting spring	PBD:51041449
Material Inspection certificate 3.1 of EN 10204	C05	Siemens Intrinsically Safe Barrier (DC powered), ATEX II 1 G EEx ia	7NG4124-0AA00
3.1-Inspection Certificate for instrument (EN 10204) ³⁰⁾	C12	SITRANS RD100, loop powered display - see Chapter 7	7ML5741-...
NACE0175 to 3.1 Material Certificate for material (EN10204 NACE MR 0175) (NACE not in scope for Hygienic process connections) ³⁰⁾³¹⁾	D07	SITRANS RD200, universal input display with Modbus conversion - see Chapter 7	7ML5740-...
3.1-Inspection Certificate for instrument with test data (EN 10204) ³⁰⁾	C25	SITRANS RD300, dual line display with totalizer and linearization curve and Modbus conversion - see Chapter 7	7ML5744-...
2.2-Factory certificate for material (EN 10204) ³⁰⁾	C15	SITRANS RD500 web, universal remote monitoring solution for instrumentation - see Chapter 7	7ML5750-...
Quality and test plan ³⁰⁾	C26	For applicable back up point level switch - see point level measurement section	
Dye penetration test, results confirmed via a 3.1 certificate/instrument (EN10204) ³⁰⁾	C13		
X-ray test + 3.1 certificate/instrument ³⁰⁾	C14	Note: some configuration options are not available. For restriction information see the online PIA configuration tool.	
Positive material identification test + 3.1 certificate/instrument ³⁰⁾	C16	1) Not available with Plastic and Stainless steel (electropolished) Housing/Protection/Cable options and certain glands.	
Roughness test + 3.1 certificate/instrument ³⁰⁾	C18	2) Available only with Metallic and Double chamber Housing/Protection/Cable options and certain glands.	
Pressure test + 3.1 certificate/instrument ³⁰⁾	C31	3) Not available with Remote or Stainless steel (electropolished) Housing/Protection/Cable options and certain glands.	
Helium leak test + 3.1 certificate/instrument ³⁰⁾	C32	4) Not available with Stainless steel (electropolished) Housing/Protection/Cable options and certain glands.	
Pressure test according to Norsok + 3.1 certificate/instrument ³⁰⁾	C61	5) Not available with certain glands.	
5 point calibration certificate (min. length 500 mm) ³⁰⁾	C62	6) Not available with Version/Material option K, L, M, N, P, Q, R, S, T	
Pressure test (acc. to ASME B31.1), incl. 3.1 Inspection certificate ³⁰⁾	C63	7) Not available with Length options 3, 4, 5, R2C, and R2D.	
Certificate suitable for tropical regions with, all attachment parts of metal (2.1 factory certificate) ³⁰⁾	C65	8) Available only with Supplementary electronic option A00.	
		9) Not available with Seal/Second line of defense/Process temperature option N.	
		10) Not available with Housing/Protection/Cable option Q1B.	
		11) Not available with Indicating/adjustment module option E02.	
		12) Not available with Process fitting/Material options 00 and 01.	
		13) Available only with some Electronic options.	
		14) Available only with glass seal options.	
		15) Available only with Seal/Second line of defense/Process temperature options C, D, E, F, H, J, M, N, Q.	
		16) Not Available with Housing/Protection/Cable options W, X, Y, J, Q1A, and Q1B.	
		17) Not Available with Seal/Second line of defense/Process temperature option P.	
		18) Available only with Single chamber, Aluminum and Stainless steel (precision casting) Housing/Protection/Cable options.	
		19) Available only with Dimensions centering weight option B00.	
		20) Available only with Rod mounted option C00.	
		21) Not available with Dimensions centering weight option B00.	
		22) Available only with Seal/Second line of defense/Process temperature option N.	
		23) Not available with Version/Material options F, K, L, M, N, P, Q, R, S, and T.	
		24) Not available with Seal/Process temperature options A, G, K, N, and Q.	
		25) Available only with Version/Material options A ... K.	
		26) Not available with Remote Housing/Protection/Cable options.	
		27) Not available with some Seal/Process temperature options including glass.	

Level Measurement

Continuous level measurement

Guided wave radar transmitters

SITRANS LG series

- ²⁸⁾ Not available with Supplementary electronics options.
- ²⁹⁾ Not available with Y02.
- ³⁰⁾ Listed Certificates are not available with all configurations, please contact factory for more information.
- ³¹⁾ Available only with 316L Probes. NACE is not available with coated, plated, or hygienic connections.
- ³²⁾ Available only with Housing/Protection/Cable options E, F, N, Q, R, T.
- ³³⁾ Available only with Housing/Protection/Cable options C, D, E, F, L, M, N, P, Q, R, S, T, U, V, Q2A, and Q2B.
- ³⁴⁾ Available only with Double chamber, Plastic and Metallic Housing/Protection/Cable options and certain glands.
- ³⁵⁾ Available only with Approvals options OA (CE only) and 1D.
- ³⁶⁾ Available only with \varnothing 4 mm PFA Length options.

Note: Please consult manual for further details.

Selection and Ordering data	Article No.	Ord. Code	Selection and Ordering data	Article No.	Ord. Code
SITRANS LG260	7ML5882-		SITRANS LG260	7ML5882-	
A guided wave radar sensor for level measurement of solids.			A guided wave radar sensor for level measurement of solids.		
➤ Click on the Article No. for the online configuration in the PIA Life Cycle Portal.					
Approvals					
General purpose (CSA, FM, CE) ⁶⁾	0 A		NEPSI Ex d IIC T6 + DIP A20/21 TA T ^{*8)} ¹⁹⁾	2 F	
Shipping approval ⁴⁾⁵⁾⁷⁾⁸⁾⁹⁾	0 B		NEPSI DIP A20/21 TA T ^{*1)8)}	2 G	
Overfill protection (WHG; VLAREM) ⁵⁾⁸⁾	0 C		INMETRO Ex ia IIC T6 ... T10 ⁵⁾⁸⁾	3 A	
ATEX II 1G, 1/2G, 2G Ex ia IIC T6 ⁵⁾⁸⁾	0 E		INMETRO Ex t IIC T* IP6X, Da, Da/Db, Da/Dc, Db + Ex ia IIC T6, Ga, Ga/Gb ¹⁾⁵⁾⁸⁾	3 B	
ATEX II 1G, 1/2G, 2G Ex ia IIC + Overfill (WHG; VLAREM) ⁵⁾⁸⁾	0 F		INMETRO Ex d ia IIC T6 ... T1 ²⁾⁵⁾⁸⁾⁹⁾	3 C	
ATEX II 1G, 1/2G, 2G Ex ia IIC T6 + shipping approval ⁴⁾⁵⁾⁷⁾⁸⁾⁹⁾¹⁰⁾	0 G		INMETRO Ex t IIC T* IP6X, Da, Da/Db, Da/Dc, Db + Ex d ia IIC T6 Ga/Gb ²⁾⁵⁾⁸⁾⁹⁾	3 D	
ATEX II 1G, 1/2G, 2G Ex ia IIC + II 1D, 1/2D, 1/3D, 2D IP66 ¹⁾⁵⁾⁸⁾	0 H		INMETRO Ex d IIC T6 ... T1 ⁸⁾¹⁹⁾	3 E	
ATEX II 1/2G, 2G Ex d ia IIC T6 ²⁾⁵⁾⁸⁾⁹⁾¹⁰⁾	0 J		INMETRO Ex t IIC T* IP6X, Da, Da/Db, Da/Dc, Db + Ex d IIC T6 Ga/Gb ⁸⁾¹⁹⁾	3 F	
ATEX II 1/2G, 2G Ex d ia IIC + shipping approval ²⁾⁵⁾⁷⁾⁸⁾⁹⁾¹⁰⁾	0 L		INMETRO Ex t IIC T* IP6X, Da, Da/Db, Da/Dc, Db ¹⁾⁵⁾⁸⁾	3 G	
ATEX II 1/2G, 2G Ex d ia IIC + II 1D, 1/2D, 1/3D, 2D IP66 ²⁾⁵⁾⁸⁾⁹⁾¹⁰⁾	0 M		KOSHA Ex d IIC T6 ... T1 - KE ⁸⁾¹⁹⁾	4 A	
ATEX II 1/2G, 2G Ex d IIC T6 ¹⁾⁸⁾¹¹⁾	0 N		Korea KC ex free area ⁸⁾	6 A	
ATEX II 1G, II 1/2G, II 2G Ex ia IIC T6...T1 Ga, Ga/Gb, Gb /IEC Ex ia IIC T6...T1 Ga, Ga/Gb, Gb ⁸⁾	0 W		GOST-R/EAC 0 Ex ia IIC T1 ... T6 X ⁸⁾	5 A	
ATEX II 1/2G, 2G Ex d IIC + shipping approval ¹⁾⁷⁾⁸⁾⁹⁾¹⁰⁾¹¹⁾	0 Q		GOST-R/EAC 0 Ex ia IIC T1 ... T6 X + Ex t IIC T... IP66 ¹⁾⁸⁾	5 B	
ATEX II 1/2G, 2G Ex d IIC + II 1D, 1/2D, 1/3D, 2D IP66 ¹⁾⁸⁾¹¹⁾	0 R		GOST-R/EAC 1 Ex d ia IIC T1 ... T6 X ²⁾⁸⁾⁹⁾	5 C	
ATEX II 1D, 1/2D, 2D IP6x T ¹⁾⁸⁾¹¹⁾	0 S		GOST-R/EAC 1 Ex d ia IIC T1 ... T6 X + Ex t IIC T... IP66 ²⁾⁸⁾⁹⁾	5 D	
IEC Ex ia IIC T6 ⁵⁾⁸⁾	0 T		GOST-R/EAC 1 Ex d IIC T1 ... T6 X ⁸⁾¹⁹⁾	5 E	
IEC Ex ia IIC T6...T1 Ga, Ga/Gb, Gb + Ex t IIC T ¹⁾⁸⁾¹¹⁾	0 U		GOST-R/EAC 0 Ex d IIC T1 ... T6 X + Ex t IIC T... IP66 ⁸⁾¹⁹⁾	5 F	
IEC Ex d ia IIC T6 ²⁾⁵⁾⁸⁾⁹⁾¹⁰⁾	1 A		GOST-R/EAC Ex t IIC T... IP66 ¹⁾⁸⁾	5 G	
IEC Ex d ia IIC T6 + IEC IP6x T ²⁾⁵⁾⁸⁾⁹⁾¹⁰⁾	1 B		Note: Version/Material, Process fitting/Material, and Length options are available only with options of corresponding type.		
IEC Ex db IIC T6 ... T1 Ga/Gb, Gb ¹⁾⁸⁾¹¹⁾	1 C		Probe version/Material		
IEC Ex db IIC T6 ... T1 Ga/Gb, Gb + IEC Ex t IIC T ⁸⁾¹¹⁾¹⁹⁾	1 D		Probe exchangeable cable ø 4 mm (0.16 inch) with gravity weight/316 ¹³⁾¹⁴⁾	A	
FM (NI) Class I, Div. 2, Groups A, B, C, D ³⁾⁵⁾⁸⁾⁹⁾	1 F		Probe exchangeable cable ø 6 mm (0.24 inch) with gravity weight/316 ¹³⁾¹⁴⁾	B	
FM (NI) Class I, Div. 2, Groups A, B, C, D + Ship approval ³⁾⁵⁾⁷⁾⁸⁾⁹⁾¹⁰⁾	1 G		Probe exchangeable cable ø 6 mm (0.24 inch) with gravity weight/PA coated ¹⁵⁾	C	
FM (IS) Class I, II, III, Div. 1, Groups A, B, C, D, E, F ⁵⁾⁸⁾⁹⁾	1 H		Probe exchangeable cable ø 11 mm (0.43 inch) with gravity weight/PA coated ¹⁵⁾	D	
FM (IS) Class I, II, III, Div. 1, Groups A, B, C, D, E, F, G + shipping approval ⁴⁾⁵⁾⁷⁾⁸⁾⁹⁾¹⁰⁾	1 J		Probe exchangeable rod ø 16 mm (0.63 inch)/316L ¹³⁾	E	
FM (XP-AIS) Class I, II, III, Div. 1, Groups A, B, C, D, E, F, G ²⁾⁵⁾⁸⁾⁹⁾¹⁰⁾	1 K		Process fitting/Material		
FM (XP-AIS) Class I, II, III, Div. 1, Groups A, B, C, D, E, F, G + shipping approval ²⁾⁵⁾⁷⁾⁸⁾⁹⁾¹⁰⁾	1 L		Thread G 3/4" (DIN 3852-A) PN 40/316L	0 0	
FM (XP) Class I, Div. 1, Groups A, B, C, D ⁸⁾¹⁹⁾	1 M		Thread 3/4" NPT (ASME B1.20.1) PN 40/316L	0 1	
CSA (NI) Class I, Div. 2, Groups A, B, C, D; (DIP) Class II, III, Div. 1, Groups E, F, G ¹⁾⁵⁾⁸⁾	1 N		Thread G 1" (DIN 3852-A) PN 40/316L	0 2	
CSA (IS) Class I, II, III, Div. 1, Groups A, B, C, D, E, F, G ⁵⁾⁸⁾	1 P		Thread 1" NPT (ASME B1.20.1) PN 40/316L	0 3	
CSA (XP-IS) Class I, II, III, Div. 1, Groups A, B, C, D, E, F, G ²⁾⁵⁾⁸⁾⁹⁾¹⁰⁾	1 Q		Thread G 1 1/2" (DIN 3852-A) PN 40/316L	0 4	
CSA (XP) Class I, II, III, Div. 1, Groups A, B, C, D, E, F, G ⁸⁾⁹⁾¹¹⁾¹⁹⁾	1 R		Thread 1 1/2" NPT (ASME B1.20.1) PN 40/316L	0 5	
NEPSI Ex ia IIC T6 ⁵⁾⁸⁾	2 A		Thread G 2" (DIN 3852-A) PN 40/316L	0 6	
NEPSI Ex ia IIC T6 + DIP A20/21 TA T ^{*1)5)8)}	2 B		Flange DN 50 PN 40 Form C, DIN 2501/316L	1 0	
NERSI Ex d ia IIC T6 ²⁾⁵⁾⁸⁾⁹⁾	2 C		Flange DN 80 PN 40 Form C, DIN 2501/316L	1 2	
NEPSI Ex d ia IIC T6 + DIP A20/21 TA T ^{*2)5)8)9)}	2 D		Flange DN 100 PN 16 Form C, DIN 2501/316L	1 3	
NEPSI Ex d IIC T6 ⁸⁾¹⁹⁾	2 E		Flange DN 100 PN 40 Form C, DIN 2501/316L	1 4	
			Flange DN 150 PN 16 Form C, DIN 2501/316L	1 5	
			Flange DN 50 PN 40 EN 1092-1 Form B1/316L	1 6	
			Flange DN 80 PN 40 EN 1092-1 Form B1/316L	1 7	
			Flange DN 100 PN 16 EN 1092-1 Form B1/316L	1 8	
			Flange 2" 150 lb RF, ASME B16.5/316L	3 0	
			Flange 2" 300 lb RF, ASME B16.5/316L	3 2	
			Flange 3" 150 lb RF, ASME B16.5/316L	3 3	

Level Measurement

Continuous level measurement
Guided wave radar transmitters

SITRANS LG series

Selection and Ordering data	Article No.	Ord. Code	Selection and Ordering data	Article No.	Ord. Code
SITRANS LG260	7ML5882-		SITRANS LG260	7ML5882-	
A guided wave radar sensor for level measurement of solids.			A guided wave radar sensor for level measurement of solids.		
Flange 3" 300 lb RF, ASME B16.5/316L	3 4		Stainless steel (precision casting) 316L/IP66/ IP68 (0.2 bar) M20 x 1.5/cable gland stainless steel ⁽⁹⁾⁽¹⁰⁾	S	
Flange 4" 150 lb RF, ASME B16.5/316L	3 5		Stainless steel (electropolished) 316L/IP66/ IP68 (0.2 bar) M20 x 1.5/cable gland stainless steel ⁽⁹⁾⁽¹⁰⁾	T	
Flange 4" 300 lb RF, ASME B16.5/316L	3 6		Aluminum single chamber/IP66/IP68 (0.2 bar) M20 x 1.5/cable gland brass nickel-plated	W	
Flange 6" 150 lb RF, ASME B16.5/316L	3 7		Aluminum double chamber/IP66/IP68 (0.2 bar) M20 x 1.5/cable gland brass nickel-plated	X	
Electronics			Stainless steel single chamber (precision casting)/IP66/IP68 (0.2 bar) M20 x 1.5/cable gland brass nickel-plated	Y	
Two-wire 4 ... 20 mA/HART	0		Stainless steel double chamber/IP66/IP68 (0.2 bar) M20 x 1.5/cable gland brass nickel-plated	U	
Four-wire Modbus ⁽²⁾⁽⁹⁾⁽¹⁰⁾	1		Remote stainless steel single chamber housing, electropolished/IP66/IP67 with cable outlet IP68 (electronics separated by cable); M20 x 1.5/blind plug ⁽¹⁰⁾	Z	Q 2 A
Two-wire 4 ... 20 mA/HART with SIL qualification ⁽⁹⁾	2		Remote plastic single chamber housing / IP66/IP67 with cable outlet IP68 (electronics separated by cable); M20 x 1.5/blind plug ⁽¹⁰⁾	Z	Q 2 B
Four-wire 4 ... 20 mA/HART; 90 ... 253 V AC; 50/60 Hz ⁽²⁾⁽⁹⁾⁽¹⁰⁾	3				
Four-wire 4 ... 20 mA/HART; 9.6 ... 48 V DC; 20 ... 42 V AC ⁽²⁾⁽⁹⁾⁽¹⁰⁾	4		Lengths		
PROFIBUS PA ⁽⁹⁾	5		<u>Rod ø 16 mm/316L</u>		
FOUNDATION Fieldbus ⁽⁹⁾	6		500 mm (19.69 inch)	0	
Seal/Process temperature			501 ... 1 000 mm (19.72 ... 39.37 inch)	1	
FKM (SHS FPM 70C3 GLT)/-40 ... +80 °C (-40 ... +176 °F) ⁽¹⁶⁾	A		1 001 ... 2 000 mm (39.41 ... 78.74 inch)	2	
FKM (SHS FPM 70C3 GLT)/-40 ... +150 °C (-40 ... +302 °F)	B		2 001 ... 3 000 mm (78.78 ... 118.11 inch)	3	
FFKM (Kalrez 6375)/-20 ... +200 °C (-4 ... +392 °F)	C		3 001 ... 4 000 mm (118.15 ... 157.48 inch)	4	
EPDM (A+P 75.5/KW75F)/-40 ... +80 °C (-40 ... +176 °F) ⁽¹⁶⁾	D		4 001 ... 5 000 mm (157.52 ... 196.85 inch)	5	
EPDM (A+P 75.5/KW75F)/without/ -40 ... +150 °C (-40 ... +392 °F)	E		5 001 ... 6 000 mm (196.89 ... 236.22 inch)	6	
Housing/Protection/Cable			<u>Cable lengths ø 4 mm/316</u>		
Note: for installation of remote display, 7ML5840, with LG two chamber housing options, contact PVC			501 ... 1 000 mm (19.72 ... 39.37 inch)	9	R 2 E
Plastic IP66/IP67 M20 x 1.5/blind stopper ⁽⁹⁾⁽¹⁰⁾	A		1 001 ... 5 000 mm (39.41 ... 196.85 inch)	9	R 2 F
Plastic IP66/IP67 1/2" NPT/blind stopper ⁽⁹⁾⁽¹⁰⁾	B		5 001 ... 10 000 mm (196.89 ... 393.70 inch)	9	R 2 G
Plastic 2-chamber/IP66/IP67/M20 x 1.5/blind stopper	C		10 001 ... 15 000 mm (393.74 ... 590.55 inch)	9	R 2 H
Plastic 2-chamber/IP66/IP67/ 1/2" NPT/ blind stopper	D		15 001 ... 20 000 mm (590.59 ... 787.40 inch)	9	R 2 J
Aluminum/IP66/IP68 (0.2 bar) M20 x 1.5/ blind stopper ⁽⁹⁾⁽¹⁰⁾	E		20 001 ... 25 000 mm (787.44 ... 984.25 inch)	9	R 2 K
Aluminum/IP66/IP68 (0.2 bar) 1/2" NPT/ blind stopper ⁽⁹⁾⁽¹⁰⁾	F		25 001 ... 30 000 mm (984.29 ... 1 181.10 inch)	9	R 2 L
Aluminum double chamber/IP66/IP68 (0.2 bar) M20 x 1.5/blind stopper	G		30 001 ... 35 000 mm (1 181.14 ... 1 377.95 inch)	9	R 2 M
Aluminum double chamber/IP66/ IP68 (0.2 bar) 1/2" NPT/blind stopper	H		35 001 ... 40 000 mm (1 377.99 ... 1 574.80 inch)	9	R 2 N
Stainless Steel (precision casting) 316L/IP66/ IP68 (0.2 bar) M20 x 1.5/blind stopper ⁽⁹⁾⁽¹⁰⁾	J		40 001 ... 45 000 mm (1 574.84 ... 1 771.65 inch)	9	R 2 P
Stainless steel (precision casting) 316L/IP66/ IP68 (0.2 bar) 1/2" NPT/blind stopper ⁽⁹⁾⁽¹⁰⁾	K		45 001 ... 50 000 mm (1 771.69 ... 1 968.50 inch)	9	R 2 Q
Stainless steel (electropolished) 316L/IP66/ IP68 (0.2 bar) M20 x 1.5/blind stopper ⁽⁹⁾⁽¹⁰⁾	L		50 001 ... 55 000 mm (1 968.54 ... 2 165.35 inch)	9	R 2 R
Stainless steel (electropolished) 316L/IP66/ IP68 (0.2 bar) 1/2" NPT/blind stopper ⁽⁹⁾⁽¹⁰⁾	M		55 001 ... 60 000 mm (2 165.39 ... 2 362.20 inch)	9	R 2 S
Stainless steel double chamber/IP66/IP68 (0.2 bar) M20 x 1.5/blind stopper	N		<u>Cable lengths ø 6 mm/316L</u>		
Stainless steel double chamber/IP66/ IP68 (0.2 bar) 1/2" NPT/blind stopper	P		500 mm (19.69 inch)	9	R 4 A
Aluminum/IP66/IP68 (0.2 bar) M20 x 1.5/ cable gland stainless steel ⁽⁹⁾⁽¹⁰⁾	Q		501 ... 1 000 mm (19.72 ... 39.37 inch)	9	R 4 B
Aluminum double chamber/IP66/IP68 (0.2 bar) M20 x 1.5/cable gland stainless steel	R		1 001 ... 5 000 mm (39.41 ... 196.85 inch)	9	R 4 C
			5 001 ... 10 000 mm (196.89 ... 393.70 inch)	9	R 4 D

Selection and Ordering data	Article No.	Ord. Code	Selection and Ordering data	Order code
SITRANS LG260	7ML5882-		Further designs (mandatory)	
A guided wave radar sensor for level measurement of solids.			Please add "-Z" to Article No. and specify Order code(s).	
10 001 ... 15 000 mm (393.74 ... 590.55 inch)		9 R 4 E	Supplementary electronics	
15 001 ... 20 000 mm (590.59 ... 787.40 inch)		9 R 4 F	Without	A00
20 001 ... 25 000 mm (787.44 ... 984.25 inch)		9 R 4 G	Additional current output 4 ... 20 mA ¹⁰⁾	A01
25 001 ... 30 000 mm (984.29 ... 1 181.10 inch)		9 R 4 H	Rod mounted	
30 001 ... 35 000 mm (1 181.14 ... 1 377.95 inch)		9 R 4 J	Without Rod, applicable for coax or cable probe types only	C00
35 001 ... 40 000 mm (1 377.99 ... 1 574.80 inch)		9 R 4 K	Mounted	C01
40 001 ... 45 000 mm (1 574.84 ... 1 771.65 inch)		9 R 4 L	Not mounted	C02
45 001 ... 50 000 mm (1 771.69 ... 1 968.50 inch)		9 R 4 M	Indicating/adjustment module	
50 001 ... 55 000 mm (1 968.54 ... 2 165.35 inch)		9 R 4 N	Without	E00
55 001 ... 60 000 mm (2 165.39 ... 2 362.20 inch)		9 R 4 P	Mounted	E01
<u>Cable lengths ø 6 mm or ø 11 mm/PA coated</u>			Laterally mounted	E02
501 ... 1 000 mm (19.72 ... 39.37 inch)		9 R 6 A	Language of display	
1 001 ... 5 000 mm (39.41 ... 196.85 inch)		9 R 6 B	German	L00
5 001 ... 10 000 mm (196.89 ... 393.70 inch)		9 R 6 C	English	L01
10 001 ... 15 000 mm (393.74 ... 590.55 inch)		9 R 6 D	French	L02
15 001 ... 20 000 mm (590.59 ... 787.40 inch)		9 R 6 E	Dutch	L03
20 001 ... 25 000 mm (787.44 ... 984.25 inch)		9 R 6 F	Italian	L04
25 001 ... 30 000 mm (984.29 ... 1 181.10 inch)		9 R 6 G	Spanish	L05
30 001 ... 35 000 mm (1 181.14 ... 1 377.95 inch)		9 R 6 H	Portuguese	L06
35 001 ... 40 000 mm (1 377.99 ... 1 574.80 inch)		9 R 6 J	Russian	L07
40 001 ... 45 000 mm (1 574.84 ... 1 771.65 inch)		9 R 6 K	Chinese	L08
45 001 ... 50 000 mm (1 771.69 ... 1 968.50 inch)		9 R 6 L	Japanese	L09
50 001 ... 55 000 mm (1 968.54 ... 2 165.35 inch)		9 R 6 M	Operating instructions	
55 001 ... 65 000 mm (2 165.39 ... 2 559.06 inch)		9 R 6 N	German	M00
			English	M01
			French	M02
			Spanish	M03
			Selection and Ordering data	Order code
			Further designs (optional)	
			Please add "-Z" to Article No. and specify Order code(s).	
			Enter the total insertion length in plain text description	Y01
			Remote electronic cable lengths: 2 m (6.6 ft). Only available with Housing options Q2A and Q2B.	Y10
			Remote electronic cable lengths: 5 m (16.4 ft). Only available with Housing options Q2A and Q2B.	Y11
			Remote electronic cable lengths: 10 m (32.8 ft). Only available with Housing options Q2A and Q2B.	Y12
			Identification Label (measurement loop) stainless steel, 40 characters max, add in plain text. To add more than one line use a coma ", " for line break.	Y17
			Identification Label (measurement loop) foil, 40 characters max, add in plain text. To add more than one line use a coma ", " for line break.	Y18
			Material Inspection certificate 3.1 of EN 10204	C05
			3.1-Inspection Certificate for instrument (EN 10204) ¹⁷⁾	C12
			NACE0175 to 3.1 Material Certificate for material (EN10204 NACE MR 0175) (NACE not in scope for Hygienic process connections) ^{17/18)}	D07
			3.1-Inspection Certificate for instrument with test data (EN 10204) ¹⁷⁾	C25
			2.2-Factory certificate for material (EN 10204) ¹⁷⁾	C15
			Quality and test plan ¹⁷⁾	C26
			Dye penetration test, results confirmed via a 3.1 certificate/instrument (EN10204) ¹⁷⁾	C13
			X-ray test + 3.1 certificate/instrument ¹⁷⁾	C14

Level Measurement

Continuous level measurement Guided wave radar transmitters

SITRANS LG series

Selection and Ordering data	Order code
Positive material identification test + 3.1 certificate/instrument ¹⁷⁾	C16
Roughness test + 3.1 certificate/instrument ¹⁷⁾	C18
Pressure test + 3.1 certificate/instrument ¹⁷⁾	C31
Helium leak test + 3.1 certificate/instrument ¹⁷⁾	C32
Pressure test according to Norsok + 3.1 certificate/instrument ¹⁷⁾	C61
5 point calibration certificate (min. length 500 mm) ¹⁷⁾	C62
Operating Instructions	
All literature is available to download for free, in a range of languages, at http://www.siemens.com/processinstrumentation/documentation	
Accessories	
SITRANS LG, GWR sensor Display Module	Article No. A5E34143449
SITRANS LG, two-wire 4 ... 20 mA/HART electronic	A5E35637821
SITRANS LG, USB communicator	A5E35192015
SITRANS LG, Mounting eye M12 x 20	PBD:51041448
SITRANS LG, Mounting spring	PBD:51041449
Siemens Intrinsically Safe Barrier (DC powered), ATEX II 1 G EEx ia	7NG4124-0AA00
SITRANS RD100, loop powered display - see Chapter 7	7ML5741-...
SITRANS RD200, universal input display with Modbus conversion - see Chapter 7	7ML5740-...
SITRANS RD300, dual line display with totalizer and linearization curve and Modbus conversion - see Chapter 7	7ML5744-...
SITRANS RD500 web, universal remote monitoring solution for instrumentation - see Chapter 7	7ML5750-...
For applicable back up point level switch - see point level measurement section	

Note: some configuration options are not available.
For restriction information see the online PIA configuration tool.

- 1) Not available with Plastic and Stainless steel (electropolished) Housing/Protection/Cable options and certain glands.
- 2) Available only with Double chamber, Metallic Housing/Protection/Cable options and certain glands.
- 3) Not available with Remote and Stainless steel (electropolished) Housing/Protection/Cable options and certain glands.
- 4) Not available with Stainless steel (electropolished) Housing/Protection/Cable options and certain glands.
- 5) Not available with Seal/Process temperature option C.
- 6) Not available with Housing/Protection/Cable options W, X, Y, and U.
- 7) Not available with Probe version/Material option E.
- 8) Available only with certain Electronics options.
- 9) Available only with Supplementary electronic option A00.
- 10) Not available with Indicating/adjustment module option E02.
- 11) Not available with Seal/Process temperature options B and E.
- 12) Available only with Seal/Process temperature option C.
- 13) Not available with Seal/Process temperature options A and D.
- 14) Available only with Rod mounted option C00.
- 15) Available only with Seal/Process temperature options A and D.
- 16) Not available with Housing/Protection/Cable options Q2A and Q2B.
- 17) Listed Certificates are not available with all configurations, please contact factory for more information.
- 18) Available only with 316L Probes. NACE is not available with coated, plated, or hygienic connections.
- 19) Available only with Single chamber, Aluminum and Stainless steel (precision casting) Housing/Protection/Cable options.

Note: Please consult manual for further details.

Selection and Ordering data	Article No.	Ord. Code
SITRANS LG270	7ML5883-	
A guided wave radar sensor for continuous level and interface measurement of liquids in aggressive applications		
➤ Click on the Article No. for the online configuration in the PIA Life Cycle Portal.		
Approvals		
General purpose (CSA, FM, CE) ⁽³²⁾	0 A	
Shipping approval ⁽¹⁾²⁾³⁾⁴⁾⁵⁾	0 B	
Overfill protection (WHG; VLAREM) ⁽²⁾³⁾	0 C	
ATEX II 1G, 1/2G, 2G Ex ia IIC T6 ⁽²⁾³²⁾	0 E	
ATEX II 1G, 1/2G, 2G Ex ia IIC + Overfill (WHG; VLAREM) ⁽²⁾³⁾	0 F	
ATEX II 1G, 1/2G, 2G Ex ia IIC T6 + shipping approval ⁽¹⁾²⁾³⁾⁴⁾⁵⁾⁶⁾	0 G	
ATEX II 1G, 1/2G, 2G Ex ia IIC + ATEX II 1D, 1/2D, 2D IP6x ⁽²⁾⁷⁾	0 H	
ATEX II 1/2G, 2G Ex d ia IIC T6 ⁽²⁾⁵⁾⁶⁾⁸⁾³²⁾	0 J	
ATEX II 1/2G, 2G Ex d ia IIC + shipping approval ⁽¹⁾²⁾³⁾⁵⁾⁶⁾⁸⁾	0 L	
ATEX II 1/2G, 2G Ex d ia IIC + ATEX II 1/2D, 2D IP6x ⁽²⁾⁵⁾⁶⁾⁸⁾	0 M	
ATEX II 1/2G, 2G Ex d IIC T6 ⁽²⁾⁷⁾³²⁾	0 N	
ATEX II 1G, II 1/2G, II 2G Ex ia IIC T6...T1 Ga, Ga/Gb, Gb /IEC Ex ia IIC T6 ... T1 Ga, Ga/Gb, Gb ⁽²⁾³⁾	0 W	
ATEX II 1/2G, 2G Ex d IIC + ship approval ⁽¹⁾²⁾³⁾⁵⁾⁶⁾⁷⁾	0 Q	
ATEX II 1/2G, 2G Ex d IIC + ATEX II 1/2D, 2D IP6x ⁽²⁾⁷⁾	0 R	
ATEX II 1D, 1/2D, 2D IP6x T ⁽²⁾⁷⁾	0 S	
IEC Ex ia IIC T6 ⁽²⁾³²⁾	0 T	
IEC Ex ia IIC T6 + IEC IP6x T tD ⁽²⁾⁷⁾	0 U	
IEC Ex d ia IIC T6 ⁽²⁾⁵⁾⁶⁾⁸⁾³²⁾	1 A	
IEC Ex d ia IIC T6 + IEC IP6x T tD ⁽²⁾⁵⁾⁶⁾⁸⁾	1 B	
IEC Ex d IIC T6 ⁽²⁾³⁾⁷⁾	1 C	
IEC Ex d IIC T6 + IEC IP6x T tD ⁽²⁾³⁾⁷⁾	1 D	
IEC Ex db IIC T6 ... T1 Ga/Gb, Gb + Ship approval ⁽²⁾³⁾⁵⁾⁷⁾⁹⁾	7 C	
IEC Ex ia IIC T6 ... T1 Ga, Ga/Gb, Gb + Ship approval ⁽²⁾⁹⁾¹²⁾	7 D	
IEC Ex d ia IIC T6 ... T1 Ga/Gb, Gb + Ship approval ⁽²⁾⁵⁾⁶⁾⁸⁾⁹⁾	7 E	
FM (NI) Class I, Div. 2 Groups A, B, C, D ⁽²⁾⁵⁾¹⁰⁾³²⁾	1 F	
FM (NI) Class I, Div. 2, Groups A, B, C, D + ship approval ⁽¹⁾²⁾³⁾⁵⁾⁶⁾⁸⁾	1 G	
FM (IS) Class I, II, III, Div. 1, Groups A, B, C, D, E, F ⁽²⁾⁵⁾³²⁾	1 H	
FM (IS) Class I, II, III, Div. 1, Groups A, B, C, D, E, F, G + ship approval ⁽¹⁾²⁾³⁾⁴⁾⁵⁾⁶⁾	1 J	
FM (XP-AIS) Class I, II, III, Div. 1, Groups A, B, C, D, E, F, G ⁽²⁾⁵⁾⁶⁾⁸⁾³²⁾	1 K	
FM (XP-AIS) Class I, II, III, Div. 1, Groups A, B, C, D, E, F, G + shipping approval ⁽¹⁾²⁾³⁾⁵⁾⁶⁾⁸⁾	1 L	
FM (XP) Class I, Div. 1, Groups A, B, C, D ⁽²⁾¹¹⁾³²⁾	1 M	
CSA (NI) Class I, Div. 2, Groups A, B, C, D; (DIP) Class II, III, Div. 1, Groups E, F, G ⁽³⁾⁷⁾	1 N	
CSA (IS) Class I, II, III, Div. 1, Groups A, B, C, D, E, F, G ⁽²⁾³⁾	1 P	
CSA (XP-IS) Class I, II, III, Div. 1, Groups A, B, C, D, E, F, G ⁽²⁾³⁾⁵⁾⁶⁾⁸⁾	1 Q	
CSA (XP) Class I, II, III, Div. 1, Groups A, B, C, D, E, F, G ⁽³⁾⁵⁾¹¹⁾¹⁹⁾	1 R	

Selection and Ordering data	Article No.	Ord. Code
SITRANS LG270	7ML5883-	
A guided wave radar sensor for continuous level and interface measurement of liquids in aggressive applications		
CSA (NI) Class I, II, III Div. 2, Groups A, B, C, D, F, G + Ship approval ⁽²⁾³⁾⁷⁾⁹⁾	7 K	
CSA (IS) Class I, II, III, Div. 1, Groups A, B, C, D, E, F, G + Ship approval ⁽²⁾⁹⁾¹²⁾	7 L	
CSA (XP-IS) Class I, II, III, Div. 1, Groups A, B, C, D, E, F, G + Ship approval ⁽²⁾³⁾⁵⁾⁶⁾⁸⁾⁹⁾	7 M	
NEPSI Ex ia IIC T6 ⁽²⁾³⁾	2 A	
NEPSI Ex ia IIC T6 + DIP A20/21 TA T* ⁽²⁾⁵⁾⁷⁾	2 B	
NERSI Ex d ia IIC T6 ⁽²⁾³⁾⁵⁾⁸⁾	2 C	
NEPSI Ex d ia IIC T6 + DIP A20/21 TA T* ⁽²⁾³⁾⁵⁾⁸⁾	2 D	
NEPSI Ex d IIC T6 ⁽²⁾³⁾¹¹⁾	2 E	
NEPSI Ex d IIC T6 + DIP A20/21 TA T* ⁽²⁾³⁾¹¹⁾	2 F	
NEPSI DIP A20/21 TA T* ⁽²⁾³⁾⁷⁾	2 G	
INMETRO Ex ia IIC T6 ... T1 ⁽²⁾³²⁾	3 A	
INMETRO Ex t IIIC T* IP6X, Da, Da/Db, Da/Dc, Db + Ex ia IIC T6, Ga, Ga/Gb ⁽²⁾⁷⁾	3 B	
INMETRO Ex d ia IIC T6 ... T1 ⁽²⁾⁵⁾⁸⁾³²⁾	3 C	
INMETRO Ex t IIIC T* IP6X, Da, Da/Db, Da/Dc, Db + Ex d ia IIC T6 Ga/Gb ⁽²⁾⁵⁾⁸⁾	3 D	
INMETRO Ex d IIC T6 ... T1 ⁽²⁾¹¹⁾	3 E	
INMETRO Ex t IIIC T* IP6X, Da, Da/Db, Da/Dc, Db + Ex d IIC T6 Ga/Gb ⁽²⁾¹¹⁾³²⁾	3 F	
INMETRO Ex t IIIC T* IP6X, Da, Da/Db, Da/Dc, Db ⁽²⁾⁷⁾	3 G	
KOSHA Ex d IIC T6 ... T1 - KE ⁽²⁾³⁾¹¹⁾	4 A	
Korea KC ex free area ⁽²⁾³²⁾	6 A	
GOST-R/EAC 0 Ex ia IIC T1 ... T6 X ⁽²⁾³⁾¹³⁾	5 A	
GOST-R/EAC 0 Ex ia IIC T1 ... T6 X + Ex t IIC T ... IP66 ⁽²⁾³⁾⁷⁾	5 B	
GOST-R/EAC 1 Ex d ia IIC T1 ... T6 X ⁽²⁾³⁾⁵⁾⁸⁾	5 C	
GOST-R/EAC 1 Ex d ia IIC T1 ... T6 X + Ex t IIC T ... IP66 ⁽²⁾³⁾⁵⁾⁸⁾	5 D	
GOST-R/EAC 1 Ex d IIC T1 ... T6 X ⁽²⁾³⁾¹¹⁾	5 E	
GOST-R/EAC 0 Ex d IIC T1 ... T6 X + Ex t IIC T ... IP66 ⁽²⁾³⁾¹¹⁾	5 F	
GOST-R/EAC Ex t IIC T ... IP66 ⁽²⁾³⁾¹⁴⁾	5 G	
Note: Version/Material, Process fitting/ Material, and Length options are available only with options of corresponding type.		
Version/Material		
Probe exchangeable cable ø 2 mm (0.08 inch) with gravity weight/316 ⁽¹⁵⁾¹⁶⁾¹⁷⁾	A	
Probe exchangeable cable ø 2 mm (0.08 inch) center weight/316L ⁽¹⁵⁾¹⁷⁾¹⁸⁾	B	
Probe exchangeable cable ø 4 mm (0.16 inch) with gravity weight/316L ⁽¹⁵⁾¹⁶⁾¹⁷⁾	C	
Probe exchangeable cable ø 4 mm (0.16 inch) with center weight/316L ⁽¹⁵⁾¹⁷⁾¹⁸⁾	D	
Probe exchangeable rod ø 16 mm (0.63 inch)/316L ⁽¹⁶⁾¹⁹⁾²⁰⁾	E	
Probe coax version ø 42.2 mm (1.66 inch) with multiple hole/316L ⁽¹⁶⁾¹⁷⁾²⁰⁾	F	
Probe coax version ø 42.2 mm (1.66 inch); multiple hole; reference distances/316L ⁽¹⁶⁾¹⁷⁾²⁰⁾²¹⁾²⁶⁾	G	
Probe exchangeable cable ø 4 mm (0.16 inch) with gravity weight/ Alloy C22 (2.4602) ⁽²²⁾³⁰⁾	H	
Probe exchangeable rod ø 16 mm (0.63 inch)/Alloy C22 (2.4602) ⁽²²⁾³⁰⁾	J	
Coax version ø 42.2 mm (1.66 inch) with multiple hole/Alloy C22 (2.4602) ⁽²²⁾³⁰⁾	K	



Level MeasurementContinuous level measurement
Guided wave radar transmitters**SITRANS LG series****Selection and Ordering data**

Article No. Ord. Code

SITRANS LG270**7ML5883-**

A guided wave radar sensor for continuous level and interface measurement of liquids in aggressive applications

Exchangeable rod, diameter 8 mm
(0.32 inch)/316L¹⁹⁾²³⁾**L**Coax ø 21.3 mm (0.838 inch) with multiple hole/316L²³⁾**M****Process fitting/Material**Thread G 1 1/2" (DIN 3852-A) PN 400/316L²⁰⁾**00**Thread 1 1/2" NPT (ASME B1.20.1) PN 400/
316L²⁰⁾**01**Thread G1 1/2" PN 400, DIN 3852-A/
Alloy C22 (2.4602)**02**Thread 1 1/2" NPT PN 400, ASME B1.20.1/
Alloy C22 (2.4602)**03**Flange DN 50 PN 40 Form C, DIN 2501/ 316L
with Alloy C22 (2.4602) coating**04**Flange DN 80 PN 40 Form C, DIN 2501/ 316L
with Alloy C22 (2.4602) coating**05**Flange DN 100 PN 16 Form C, DIN 2501/ 316L
with Alloy C22 (2.4602) coating**06**Flange DN 50 PN 40 Form B1, EN 1092-1/
316L with Alloy C22 (2.4602) coating**07**Flange DN 50 PN 63 Form B1, EN 1092-1/
316L with Alloy C22**08**

Flange DN 50 PN 40 Form C, DIN 2501/316L

10

Flange DN 50 PN 40 form V13, DIN 2513/316L

11Flange DN 65 PN 64 Form V13, DIN 2501/
316L**12**

Flange DN 80 PN 40 Form C, DIN 2501/316L

13Flange DN 80 PN 40 Form V13, DIN 2501/
316L**14**Flange DN 80 PN 100 Form L, DIN 2501/
316L²⁰⁾**15**

Flange DN 100 PN 16 Form C, DIN 2501/316L

16Flange DN 100 PN 16 Form V13, DIN 2501/
316L**17**

Flange DN 100 PN 40 Form C, DIN 2501/316L

18Flange DN 100 PN 40 Form V13, DIN 2513/
316L**20**

Flange DN 150 PN 16 Form C, DIN 2501/316L

21

Flange DN 50 PN 40 EN 1092-1 Form B1/316L

22Flange DN 100 PN 160 GOST 12815-80.7/
316L²⁰⁾**23**Flange 2" 150 lb RF, ASME B16.5/316L with
Alloy C22 (2.4602) coating**24**Flange 2" 300 lb RF, ASME B16.5/316L with
Alloy C22 (2.4602) coating**25**Flange 2" 600 lb RF, ASME B16.5/316L with
Alloy C22 (2.4602) coating**26**Flange 3" 150 lb RF, ASME B16.5/316L with
Alloy C22 (2.4602) coating**27**Flange 3" 300 lb RF, ASME B16.5/316L with
Alloy C22 (2.4602) coating**28**Flange DN 80 PN 160 Form C, DIN 2501/
316L²⁰⁾**60**Flange DN 80 PN 250 Form L, DIN 2501/
316L²⁰⁾**61**Flange DN 50 PN 160, EN 1092-1 Form B1/
316L²⁰⁾**62**Flange DN 50 PN 160, EN 1092-1 Form B2/
316L²⁰⁾**63**Flange DN 50 PN 32, EN 1092-1 Form B1/
316L²⁰⁾**64**Flange DN 65 PN 250, EN 1092-1 Form B1/
316L²⁰⁾**65**Flange DN 100 PN 160, EN 1092-1 Form B2/
316L²⁰⁾**66****Selection and Ordering data**

Article No. Ord. Code

SITRANS LG270**7ML5883-**

A guided wave radar sensor for continuous level and interface measurement of liquids in aggressive applications

Flange DN 80 PN 63, EN 1092-1 Form B2/
316L**67**Flange 4" 600 lb RF, ASME B16.5/ 316L with
Alloy C22 (2.4602) coating**68**

Flange 2" 150 lb RF, ASME B16.5/316L

30

Flange 2" 300 lb RF, ASME B16.5/316L

31

Flange 2" 600 lb RF, ASME B16.5/316L

32

Flange 2" 1 500 lb RF, ASME B16.5/316L

33

Flange 3" 150 lb RF, ASME B16.5/316L

34

Flange 3" 300 lb RF, ASME B16.5/316L

35

Flange 3" 600 lb RF, ASME B16.5/316L

36

Flange 3" 900 lb RF, ASME B16.5/316L

37

Flange 3" 2 500 lb RF, ASME B16.5/316L

38

Flange 3 1/2" 600 lb RF, ASME B16.5/316L

40

Flange 4" 150 lb RF, ASME B16.5/316L

41

Flange 4" 300 lb RF, ASME B16.5/316L

42

Flange 4" 600 lb RF, ASME B16.5/316L

43

Flange 6" 150 lb RF, ASME B16.5/316L

44

Flange 6" 300 lb RF, ASME B16.5/316L

45

Flange 6" 600 lb RF, ASME B16.5/316L

46

Flange 2" 150 lb Fisher special return/316L

47Flange 3" 900 lb RJF, ASME B16.5/
Alloy C22 (2.4602)**48**

Flange 2" 900 lb RF, ASME B16.5/316L

50

Flange 3" 1 500 lb RF, ASME B16.5/316L

51

Flange 4" 900 lb RF, ASME B16.5/316L

52

Flange 4" 1 500 lb RF, ASME B16.5/316L

53Flange 4" 2 500 lb RJF, ASME B16.5/316L²⁰⁾**54**Flange 4" 1500 lb RJF, ASME B16.5/316L²⁰⁾**55**Flange 3" 600 lb RF, ASME B16.5/316L with
Alloy C22 (2.4602) coating**56**Flange 4" 150 lb RF, ASME B16.5/316L with
Alloy C22 (2.4602) coating**57**Flange 4" 300 lb RF, ASME B16.5/316L with
Alloy C22 (2.4602) coating**58**Flange 6" 150 lb RF, ASME B16.5/316L with
Alloy C22 (2.4602) coating**70**Flange DN 50 PN 40 Form C, DIN 2501/
Alloy C22 (2.4602) solid**71**Flange DN 100 PN 16 Form C, DIN 2501/C22
solid**72**Flange DN 100 PN 40 Form N, DIN 2501/
Alloy C22 (2.4602) solid**73**Flange DN 50 PN 40 Form B1, EN 1092-1/
Alloy C22 (2.4602) solid**74**Flange 2" 150 lb RF, ASME B16.5/
Alloy C22 (2.4602) solid**75**Flange 2" 300 lb RF, ASME B16.5/
Alloy C22 (2.4602) solid**76**Flange 2" 600 lb RF, ASME B16.5/
Alloy C22 (2.4602) solid**77**Flange 2" 900 lb RJF, ASME B16.5/
Alloy C22 (2.4602) solid**78**Flange 2" 1 500 lb RJF, ASME B16.5/
Alloy C22 (2.4602) solid**80**Flange 3" 150 lb RF, ASME B16.5/
Alloy C22 (2.4602) solid**81**Flange 3" 300 lb RF, ASME B16.5/
Alloy C22 (2.4602) solid**82**Flange 3" 600 lb RF, ASME B16.5/
Alloy C22 (2.4602) solid**83**

Selection and Ordering data	Article No.	Ord. Code	Selection and Ordering data	Article No.	Ord. Code
SITRANS LG270	7ML5883-		SITRANS LG270	7ML5883-	
A guided wave radar sensor for continuous level and interface measurement of liquids in aggressive applications			A guided wave radar sensor for continuous level and interface measurement of liquids in aggressive applications		
Flange 4" 150 lb RF, ASME B16.5/ Alloy C22 (2.4602) solid	8 4		Housing/Protection/Cable		
Flange 4" 300 lb RF, ASME B16.5/ Alloy C22 (2.4602) solid	8 5		Note: for installation of remote display, 7ML5840, with LG two chamber housing options, contact PVC		
Flange 3" 600 lb RJF for R31, ASME B16.5/ Alloy C22 (2.4602) solid	8 6		Plastic IP66/IP67 M20 x 1.5/blind stopper		A
Flange 2" 2 500 lb RJF, ASME B16.5/ Alloy C22 (2.4602) solid	9 0	L 1 A	Plastic IP66/IP67 1/2" NPT/blind stopper		B
Flange 3" 1 500 lb RJF, ASME B16.5/ Alloy C22 (2.4602) solid	9 0	L 1 B	Aluminum/IP66/IP68 (0.2 bar) M20 x 1.5/ blind stopper		C
Flange 3" 2 500 lb RJF, ASME B16.5/ Alloy C22 (2.4602) solid	9 0	L 1 C	Aluminum/IP66/IP68 (0.2 bar) 1/2" NPT/blind stopper		D
Flange 4" 600 lb RF, ASME B16.5/ Alloy C22 (2.4602) solid	9 0	L 1 D	Aluminum double chamber/IP66/IP68 (0.2 bar) M20 x 1.5/blind stopper		E
Flange 4" 600 lb RJF, ASME B16.5/ Alloy C22 (2.4602) solid	9 0	L 1 E	Aluminum double chamber/IP66/IP68 (0.2 bar) 1/2" NPT/blind stopper		F
Flange 4" 900 lb RF, ASME B16.5/ Alloy C22 (2.4602) solid	9 0	L 1 F	Stainless steel (precision casting) 316L/IP66/ IP68 (0.2 bar) M20 x 1.5/blind stopper		L
Flange 4" 900 lb RJF, ASME B16.5/ Alloy C22 (2.4602) massiv	9 0	L 1 G	Stainless steel (precision casting) 316L/IP66/ IP68 (0.2 bar) 1/2" NPT/blind stopper		M
Flange 4" 1 500 lb RJF, ASME B16.5/ Alloy C22 (2.4602) solid	9 0	L 1 H	Stainless steel (electropolished) 316L/IP66/ IP68 (0.2 bar) M20 x 1.5/blind stopper		N
Flange 4" 2 500 lb RJF, ASME B16.5/ Alloy C22 (2.4602) solid	9 0	L 1 J	Stainless steel (electropolished) 316L/IP66/ IP68 (0.2 bar) 1/2" NPT/blind stopper		P
Flange 8" 300 lb RF, ASME B16.5/ Alloy C22 (2.4602) solid	9 0	L 1 K	Stainless steel double chamber/IP66/IP68 (0.2 bar) M20 x 1.5/blind stopper		Q
Flange 3 1/2" 600 lb Fisher type 249B and 259B/ Alloy C22 (2.4602) solid	9 0	L 1 L	Stainless steel double chamber/IP66/IP68 (0.2 bar) 1/2" NPT/blind stopper		R
Flange 2 1/2" 300 lb RF, ASME B16.5/316/316L	9 0	L 2 A	Aluminum/IP66/IP68 (0.2 bar) M20 x 1.5/ cable gland stainless steel		S
Flange 2 1/2" 600 lb RF, ASME B16.5/316/316L	9 0	L 2 B	Aluminum double chamber/IP66/IP68 (0.2 bar) M20 x 1.5/cable gland stainless steel		T
Flange DN 50 PN 40 Form D, EN 1092-1/316/ 316L ²⁴⁾	9 0	L 2 C	Stainless steel (precision casting) 316L/IP66/ IP68 (0.2 bar) M20 x 1.5/cable gland stainless steel		U
Flange 2 1/2" 1 500 lb RF, ASME B16.5/316/316L	9 0	L 2 D	Stainless steel (electropolished) 316L/IP66/ IP68 (0.2 bar) M20 x 1.5/cable gland stain- less steel		V
Thread G 1" (DIN 3852-A) PN 100/316L	9 0	L 3 C	Aluminum single chamber/IP66/IP68 (0.2 bar) M20 x 1.5/cable gland brass nickel-plated		W
Thread 1" NPT, ASME B1.20.1/PN 100/316L	9 0	L 3 D	Aluminum double chamber/IP66/IP68 (0.2 bar) M20 x 1.5/cable gland brass nickel-plated		X
Thread G 1 1/2" (DIN 3852-A) PN 100/316L	9 0	L 3 E	Stainless steel single chamber (precision casting)/IP66/IP68 (0.2 bar) M20 x 1.5/cable gland brass nickel-plated		Y
Thread 1 1/2" NPT, ASME B1.20.1/PN100/316L	9 0	L 3 F	Stainless steel double chamber/IP66/IP68 (0.2 bar) M20 x 1.5/cable gland brass nickel-plated		J
Thread 2" NPT, ASME B1.20.1/PN 100/316L	9 0	L 3 G	Remote stainless steel single chamber hous- ing, electropolished/IP66/IP67 with cable outlet IP68 (electronics separated by cable); M20 x 1.5/blind plug ⁶⁾		Z Q 2 A
Thread G 3/4 PN100, DIN 3852-A/316L ²³⁾³¹⁾	9 0	L 3 H	Remote plastic single chamber housing / IP66/IP67 with cable outlet IP68 (electronics separated by cable); M20 x 1.5/blind plug ⁶⁾		Z Q 2 B
Thread 3/4 NPT PN100, ASME B1.20.1/ 316L ²³⁾³¹⁾	9 0	L 3 J			
Electronics					
Two-wire 4 ... 20 mA/HART		0			
Four-wire Modbus ⁵⁾⁶⁾⁸⁾		1			
Two-wire 4 ... 20 mA/HART with SiL qualification ⁵⁾		2			
Four-wire 4 ... 20 mA/HART; 90 ... 253 V AC; 50/60 Hz ⁵⁾⁶⁾⁸⁾		3			
Four-wire 4 ... 20 mA/HART; 9.6 ... 48 V DC; 20 ... 42 V AC ⁵⁾⁶⁾⁸⁾		4			
PROFIBUS PA ⁵⁾		5			
FOUNDATION Fieldbus ⁵⁾		6			
Seal/Second line of defense/ Process temperature					
Ceramic-graphite/with glass seal/ -196 ... +280 °C (-321 ... +536 °F)		A			
Ceramic-graphite/with glass seal/ -196 ... +450 °C (-321 ... +842 °F)		B			
Ceramic-graphite/with glass seal/ -196 ... +400 °C (-321 ... +752 °F) ²¹⁾		C			
PEEK-FFKM (Kalrez 6375) /with glass seal/ -20...+250 °C (-4 ... +482 °F) ²¹⁾		D			

Level Measurement

Continuous level measurement
Guided wave radar transmitters

SITRANS LG series

Selection and Ordering data	Article No.	Ord. Code	Selection and Ordering data	Article No.	Ord. Code
SITRANS LG270	7ML5883-		SITRANS LG270	7ML5883-	
A guided wave radar sensor for continuous level and interface measurement of liquids in aggressive applications			A guided wave radar sensor for continuous level and interface measurement of liquids in aggressive applications		
Lengths			Cable lengths ø 4 mm/ C22		
<u>Rod ø 16 mm/316L</u>			501 ... 1 000 m (19.72 ... 39.37 inch)	9	R 4 A
300 mm (11.81 inch) ²⁵⁾		0	1 000 ... 5 000 mm (39.37 ... 196.85 inch)	9	R 4 B
500 mm (19.69 inch) ²⁵⁾		1	5 001 ... 10 000 mm (196.89 ... 393.70 inch)	9	R 4 C
501 ... 1 000 mm (19.72 ... 39.37 inch) ²⁵⁾		2	10 001 ... 15 000 mm (393.74 ... 590.55 inch)	9	R 4 D
1 001 ... 2 000 mm (39.41 ... 78.74 inch) ²⁵⁾		3	15 001 ... 20 000 mm (590.59 ... 787.40 inch)	9	R 4 E
2 001 ... 3 000 mm (78.78 ... 118.11 inch) ²⁵⁾		4	20 001 ... 25 000 mm (787.44 ... 984.25 inch)	9	R 4 F
3 001 ... 4 000 mm (118.15 ... 157.48 inch) ²⁵⁾		5	25 001 ... 30 000 mm (984.29 ... 1 181.10 inch)	9	R 4 G
4 001 ... 5 000 mm (157.52 ... 196.85 inch) ²⁵⁾		6	30 001 ... 35 000 mm (1 181.14 ... 1 377.95 inch)	9	R 4 H
5 001 ... 6 000 mm (196.89 ... 236.22 inch) ²⁵⁾		7	35 001 ... 40 000 mm (1 377.99 ... 1 574.80 inch)	9	R 4 J
<u>Rod ø 16 mm/C22</u>			40 001 ... 45 000 mm (1 574.84 ... 1 771.65 inch)	9	R 4 K
501 ... 1 000 mm (19.72 ... 39.37 inch) ²⁵⁾	9	R 1 A	45 001 ... 50 000 mm (1 771.69 ... 1 968.50 inch)	9	R 4 L
1 001 ... 2 000 mm (39.41 ... 78.74 inch) ²⁵⁾	9	R 1 B	50 001 ... 55 000 mm (1 968.54 ... 2 165.35 inch)	9	R 4 M
2 001 ... 3 000 mm (78.78 ... 118.11 inch) ²⁵⁾	9	R 1 C	55 001 ... 60 000 mm (2 165.39 ... 2 362.20 inch)	9	R 4 N
3 001 ... 4 000 mm (118.15 ... 157.48 inch) ²⁵⁾	9	R 1 D	<u>Coax ø 42.2 mm/316L</u>		
4 001 ... 5 000 mm (157.52 ... 196.85 inch) ²⁵⁾	9	R 1 E	300 ... 1 000 mm (11.81 ... 39.37 inch) ²⁵⁾	9	R 3 G
5 001 ... 6 000 mm (196.89 ... 236.22 inch) ²⁵⁾	9	R 1 F	1 001 ... 2 000 mm (39.41 ... 78.74 inch) ²⁵⁾²⁶⁾	9	R 3 H
<u>Rod ø 8 mm/316L</u>			2 001 ... 3 000 mm (78.78 ... 118.11 inch) ²⁵⁾	9	R 3 J
300 ... 1 000 mm (11.81 ... 39.37 inch)	9	R 1 H	3 001 ... 4 000 mm (118.15 ... 157.48 inch) ²⁵⁾	9	R 3 K
1 001 ... 2 000 mm (39.41 ... 78.74 inch)	9	R 1 J	4 001 ... 5 000 mm (157.52 ... 196.85 inch) ²⁵⁾	9	R 3 L
2 001 ... 3 000 mm (78.78 ... 118.11 inch)	9	R 1 K	5 001 ... 6 000 mm (196.89 ... 236.22 inch) ²⁵⁾	9	R 3 M
3 001 ... 4 000 mm (118.15 ... 157.48 inch)	9	R 1 L	<u>Coax ø 42.2 mm/C22</u>		
4 001 ... 5 000 mm (157.52 ... 196.85 inch)	9	R 1 M	300 ... 1 000 mm (11.81 ... 39.37 inch) ²⁵⁾	9	R 3 Q
5 001 ... 6 000 mm (196.89 ... 236.22 inch)	9	R 1 N	1 001 ... 2 000 mm (39.41 ... 78.74 inch) ²⁵⁾²⁶⁾	9	R 3 R
<u>Cable lengths ø 2 or 4 mm/316L</u>			2 001 ... 3 000 mm (78.78 ... 118.11 inch) ²⁵⁾	9	R 3 S
501 ... 1 000 mm (19.72 ... 39.37 inch)	9	R 2 E	3 001 ... 4 000 mm (118.15 ... 157.48 inch) ²⁵⁾	9	R 3 T
1 000 ... 5 000 mm (39.37 ... 196.85 inch)	9	R 2 F	4 001 ... 5 000 mm (157.52 ... 196.85 inch) ²⁵⁾	9	R 3 U
5 001 ... 10 000 mm (196.89 ... 393.70 inch)	9	R 2 G	5 001 ... 6 000 mm (196.89 ... 236.22 inch) ²⁵⁾	9	R 3 V
10 001 ... 15 000 mm (393.74 ... 590.55 inch)	9	R 2 H	<u>Coax ø 21.3 mm/316L</u>		
15 001 ... 20 000 mm (590.59 ... 787.40 inch)	9	R 2 J	300 ... 1 000 mm (11.81 ... 39.37 inch)	9	R 5 A
20 001 ... 25 000 mm (787.44 ... 984.25 inch)	9	R 2 K	1 001 ... 2 000 mm (39.41 ... 78.74 inch)	9	R 5 B
25 001 ... 30 000 mm (984.29 ... 1 181.10 inch)	9	R 2 L	2 001 ... 3 000 mm (78.78 ... 118.11 inch)	9	R 5 C
30 001 ... 35 000 mm (1 181.14 ... 1 377.95 inch)	9	R 2 M	3 001 ... 4 000 mm (118.15 ... 157.48 inch)	9	R 5 D
35 001 ... 40 000 mm (1 377.99 ... 1 574.80 inch)	9	R 2 N	4 001 ... 5 000 mm (157.52 ... 196.85 inch)	9	R 5 E
40 001 ... 45 000 mm (1 574.84 ... 1 771.65 inch)	9	R 2 P	5 001 ... 6 000 mm (196.89 ... 236.22 inch)	9	R 5 F
45 001 ... 50 000 mm (1 771.69 ... 1 968.50 inch)	9	R 2 Q			
50 001 ... 55 000 mm (1 968.54 ... 2 165.35 inch)	9	R 2 R			
55 001 ... 60 000 mm (2 165.39 ... 2 362.20 inch)	9	R 2 S			

Selection and Ordering data	Order code	Selection and Ordering data	Order code
Further designs (mandatory)		Further designs (optional)	
Please add "-Z" to Article No. and specify Order code(s).		Please add "-Z" to Article No. and specify Order code(s).	
Supplementary electronics		Enter the total insertion length in plain text description	Y01
Without	A00	Y02 rigid part is 100 mm, only applicable for cable versions	Y02
Additional current output 4 ... 20 mA ⁶⁾	A01	Reference probe G length of reference distance = 260 mm/10.24 inches (note blanking 450 mm required with min. probe 1 000 mm)	Y05
Dimensions centering weight (diameter/height)		Reference probe G length of reference distance = 500 mm/19.69 inches (note blanking 690 mm required with min. probe 1 250 mm)	Y06
Without	B00	Reference probe G length of reference distance = 750 mm/29.53 inches (note blanking 940 mm required with min. probe 1 500 mm)	Y07
ø 40/30 mm	B01	Remote electronic cable lengths: 2 m (6.6 ft). Only available with Housing options Q2A and Q2B	Y10
ø 45/30 mm (for 2 inch tubes)	B02	Remote electronic cable lengths: 5 m (16.4 ft). Only available with Housing options Q2A and Q2B	Y11
ø 75/30 mm (for 3 inch tubes)	B03	Remote electronic cable lengths: 10 m (32.8 ft). Only available with Housing options Q2A and Q2B	Y12
ø 95/30 mm (for 4 inch tubes)	B04	Customer specific adjustment (unit value, 100 % distance from seal, 0 % distance from seal)	Y20
ø 40 mm/30 mm	B05	Cleaning included certificate: oil, grease and silicone free	W01
ø 1.57 inch/1.18 inch (for 2 inch Schedule 160)	B06	Identification Label (measurement loop) stainless steel, 40 characters max, add in plain text. To add more than one line use a coma "," for line break.	Y17
ø 45 mm/30 mm (for 2 inch tubes)	B07	Identification Label (measurement loop) foil, 40 characters max, add in plain text. To add more than one line use a coma "," for line break.	Y18
ø 1.77 inch/1.18 inch (for 2 inch Schedule 40/80)	B08	Material Inspection certificate 3.1 of EN 10204	C05
ø 75 mm/30 mm (for 3 inch tubes)		3.1-Inspection Certificate for instrument (EN 10204) ²⁷⁾	C12
ø 2.95 inch/1.18 inch (for 3 inch Schedule 10/40)		NACE0175 to 3.1 Material Certificate for material (EN10204 NACE MR 0175) (NACE not in scope for Hygienic process connections) ²⁷⁾	D07
ø 95 mm/30 mm (for 4 inch tubes)		3.1-Inspection Certificate for instrument with test data (EN 10204) ²⁷⁾	C25
ø 3.74 inch/1.18 inch (for 4 inch Schedule 80)		2.2-Factory certificate for material (EN 10204) ²⁷⁾	C15
Rod mounted		Quality and test plan ²⁷⁾	C26
Without Rod, applicable for coax or cable probe types only	C00	Dye penetration test, results confirmed via a 3.1 certificate/instrument (EN10204) ²⁷⁾	C13
Mounted	C01	X-ray test + 3.1 certificate/instrument ²⁷⁾	C14
Not mounted	C02	Positive material identification test + 3.1 certificate/ instrument ²⁷⁾	C16
Indicating/adjustment module		Roughness test + 3.1 certificate/instrument ²⁷⁾	C18
Without	E00	Pressure test + 3.1 certificate/instrument ²⁷⁾	C31
Mounted	E01	Helium leak test + 3.1 certificate/instrument ²⁷⁾	C32
Laterally mounted	E02	Pressure test according to Norsok + 3.1 certificate/ instrument ²⁷⁾	C61
Language of display		5 point calibration certificate (min. length 500 mm) ²⁷⁾	C62
German	L00	Pressure test (acc. to ASME B31.1), incl. 3.1 Inspection certificate ²⁸⁾	C63
English	L01	Certificate: Approval for steam boiler according to EN 12952-11, EN 12953-9 ²⁹⁾	C70
French	L02		
Dutch	L03		
Italian	L04		
Spanish	L05		
Portuguese	L06		
Russian	L07		
Chinese	L08		
Japanese	L09		
Operating instructions			
German	M00		
English	M01		
French	M02		
Spanish	M03		

Level Measurement

Continuous level measurement Guided wave radar transmitters

SITRANS LG series

Selection and Ordering data	Article No.
Operating Instructions	
All literature is available to download for free, in a range of languages, at http://www.siemens.com/processinstrumentation/documentation	
Accessories	
SITRANS LG, GWR sensor Display Module	A5E34143449
SITRANS LG, two-wire 4 ... 20 mA/HART electronic	A5E35637821
SITRANS LG, USB communicator	A5E35192015
SITRANS LG, Mounting eye M12 x 20	PBD:51041448
SITRANS LG, Mounting spring	PBD:51041449
Siemens Intrinsically Safe Barrier (DC powered), ATEX II 1 G EEx ia	7NG4124-0AA00
SITRANS RD100, loop powered display - see Chapter 7	7ML5741-...
SITRANS RD200, universal input display with Modbus conversion - see Chapter 7	7ML5740-...
SITRANS RD300, dual line display with totalizer and linearization curve and Modbus conversion - see Chapter 7	7ML5744-...
SITRANS RD500 web, universal remote monitoring solution for instrumentation - see Chapter 7	7ML5750-...
For applicable back up point level switch - see point level measurement section	

²⁸⁾ Available only with ASME Process fitting/Material options.

²⁹⁾ Available only with Version/Material options G, L, M and Electronic options 2 and 6.

³⁰⁾ Available only with Alloy C22 Process fitting/Material options.

³¹⁾ Available only with Version/Material option M.

³²⁾ Available only with some Version/Material options.

Note: Please consult manual for further details.

Note: some configuration options are not available.
For restriction information see the online PIA configuration tool.

- 1) Not available with Version/Material options E, F, G, J, and K.
- 2) Available only with certain Electronic options.
- 3) Not available with Seal/Process temperature option D.
- 4) Not available with Stainless Steel (electropolished) Housing/Protection/Cable options and certain glands.
- 5) Available only with Supplementary electronic option A00.
- 6) Not available with Indicating/adjusting module E02.
- 7) Not available with Plastic and Stainless Steel (electropolished) Housing/Protection/Cable options and certain glands.
- 8) Available only with Double chamber, Metallic Housing/Protection/Cable options and certain glands.
- 9) Available only with Version/Material options A, B, C, D, and H.
- 10) Not available with Remote and Stainless Steel (electropolished) Housing/Protection/Cable options and certain glands.
- 11) Available only with Single chamber, Aluminum and Stainless steel (precision casting) Housing/Protection/Cable options.
- 12) Available only with Housing/Protection/Cable options N, P, V, and Q2A.
- 13) Not available with Housing/Protection/Cable options W, X, Y, and J.
- 14) Available only with Housing/Protection/Cable options C, E, L, Q.
- 15) Not available with Seal/Process temperature option C.
- 16) Available only with Dimensions centering weight option B00.
- 17) Available only with Rod mounted option C00.
- 18) Not available with Dimensions centering weight option B00.
- 19) Not available with Rod mounted option C00.
- 20) Not available with Seal/Process temperature options C and D.
- 21) Not available with Remote Housing/Protection/Cable options.
- 22) Not available with Seal/Process temperature options B and D.
- 23) Available only with Seal/Process temperature option D.
- 24) Available only with Seal/Process temperature options A, B, and C.
- 25) Not available with Order code Y02.
- 26) Accuracy is application dependent, please consult factory.
- 27) Listed Certificates are not available with all configurations, please contact factory for more information.

Selection and Ordering data	Article No.
SITRANS LG Remote Interface	7ML5840-
Click on the Article No. for the online configuration in the PIA Life Cycle Portal.	0
Note: for installation of remote display, 7ML5840, with LG two chamber housing options, contact PVC	
Approval	
For Ex-free area	0 A
ATEX II 1G, 2G, Ex ia IIC T6 Ga, Gb	0 C
ATEX II 2G, Ex d IIC T6 Gb ¹⁾	0 E
IEC Ex ia IIC T6 Ga, Gb	0 F
IEC Ex d IIC T6 Gb ¹⁾	0 G
cCSAus (NI) Class I, Div. 2, Groups A, B, C, D; (DIP) Class II, III, Div. 1, Groups E, F, G	0 H
cCSAus (IS) Class I, II, III, Div. 1, Groups A, B, C, D, E, F, G	0 J
cCSAus (XP) Class I, Div. 1, Groups A, B, C, D ¹⁾	0 K
INMETRO Ex ia IIC T6 Ga, Gb	0 L
INMETRO Ex d IIC T6 Gb ¹⁾	0 M
Shipping Approval (DNV/GL) ⁶⁾	0 N
ATEX II 1G, 2G Ex ia IIC T6 Ga, Gb + Ship approval	0 P
ATEX II 2G Ex db IIC T6 Gb + Ship approval ¹⁾	0 Q
IEC Ex ia IIC T6 Ga, Gb + Ship approval	0 R
IEC Ex db IIC T6 Gb + Ship approval ¹⁾	0 S
cCSAus (IS) Class I, II, III, Div. 1, Groups A, B, C, D, E, F, G + Ship approval	0 T
cCSAus (XP) Class I, Div. 1, Groups A, B, C, D + Ship approval ¹⁾	0 U
Electronics	
Digital (I ² C communication)	A
Housing	
Plastic ²⁾⁴⁾	0
Aluminum ³⁾⁵⁾	1
Stainless Steel (precision casting) ³⁾⁵⁾	2
Housing protection	
IP66/IP67 NEMA 4X	0
IP66/IP68 NEMA 6P (0.2 bar)	1
Cable entry	
M20 x 1.5/ Blind plug	3
½" NPT/ Blind plug	5
Display	
Without	A
Mounted	B
Mounting	
For wall mounting with Aluminum or stainless steel housing	A
For carrier rail and wall mounting with plastic housing	B
For carrier rail with Aluminum or stainless steel housing	C
For tube mounting (29 ... 60 mm) including mounting material	D
Certificates	
None	0
3.1 Certificate/Instrument with test data	1
Quality and Test plan	2

- 1) Available only with Housing options 1 and 2.
- 2) Available only with Housing option 0.
- 3) Available only with Housing option 1.
- 4) Available only with Mounting options B and D.
- 5) Not available with Mounting option B.
- 6) Shipping approval is only available with housing options 0 and 1.

Level Measurement

Continuous level measurement
Guided wave radar transmitters

SITRANS LG series

Selection and Ordering data	Article No.
SITRANS LG Replacement Probes	7ML5841-
	■ ■ ■ ■ ■ - ■ ■ ■ ■ 0
Click on the Article No. for the online configuration in the PIA Life Cycle Portal.	
Instrument	
LG240 ⁴⁾	0
LG250 ⁶⁾	1
LG260 ⁷⁾	2
LG270 ⁹⁾¹⁰⁾	3
Probe Type³⁾	
Exchangeable cable ø 2 mm with gravity weight/316 ¹⁾¹¹⁾	AA
Exchangeable cable ø 2 mm center weight/316 ²⁾¹¹⁾	AC
Exchangeable cable ø 4 mm without weight/316 ¹⁾¹¹⁾	AD
Exchangeable cable ø 4 mm with gravity weight/316 ¹⁾¹¹⁾	AE
Exchangeable cable ø 4 mm with center weight/316 ²⁾¹¹⁾	AG
Exchangeable cable ø 6 mm with gravity weight/316 ¹⁾⁸⁾¹¹⁾	AH
Exchangeable rod ø 8 mm/316L ¹⁾	AP
Exchangeable rod ø 8 mm/1.4435 (acc. to Basle Standard) ¹⁾	AQ
Exchangeable rod ø 12 mm/316L ¹⁾	AU
Exchangeable rod ø 16 mm/316L ¹⁾	AW
Exchangeable coated cable ø4 mm with uncoated centering weight / PFA and 316 ¹⁾¹²⁾	BA
Process fitting	
Thread less than or equal to 1½ inch	0
Thread greater than or equal to 2 inch	1
Flange less than DN 50 or 2 inch	2
Flange greater than or equal to DN 50 or 2 inch or hygienic fitting (not for safety ingold 25 x 46 mm)	3
Dimension centering weight	
Without	0
ø 40 mm/30 mm	1
ø 45 mm/30 mm (for 2 inch tubes)	2
ø 75 mm/30 mm (for 3 inch tubes)	3
ø 95 mm/30 mm (for 4 inch tubes)	4
ø 1.57 inch/1.18 inch (for 2 inch Schedule 160)	5
ø 1.77 inch/1.18 inch (for 2 inch Schedule 40/80)	6
ø 2.95 inch/1.18 inch (for 3 inch Schedule 10/40)	7
ø 3.74 inch/1.18 inch (for 4 inch Schedule 80)	8
Certificates	
Without	0
2.2 Material certificate	1
3.1 Material certificate	2

Selection and Ordering data	Article No.
SITRANS LG Replacement Probes	7ML5841-
	■ ■ ■ ■ ■ - ■ ■ ■ ■ 0
Lengths	
Rod ø 8 mm	
300 ... 1 000 mm (11.81 ... 39.37 inch)	AA
1 001 ... 2 000 mm (39.41 ... 78.74 inch)	AB
2 001 ... 3 000 mm (78.78 ... 118.11 inch)	AC
3 001 ... 4 000 mm (118.15 ... 157.48 inch)	AD
4 001 ... 5 000 mm (157.52 ... 196.85 inch)	AE
5 001 ... 6 000 mm (196.89 ... 236.22 inch)	AF
Rod ø 12 mm	
300 ... 1 000 mm (11.81 ... 39.37 inch)	AG
1 001 ... 2 000 mm (39.41 ... 78.74 inch)	AH
2 001 ... 3 000 mm (78.78 ... 118.11 inch)	AJ
3 001 ... 4 000 mm (118.15 ... 157.48 inch)	AK
4 001 ... 5 000 mm (157.52 ... 196.85 inch)	AL
5 001 ... 6 000 mm (196.89 ... 236.22 inch)	AM
Rod ø 16 mm	
300 ... 1 000 mm (11.81 ... 39.37 inch)	AN
1 001 ... 2 000 mm (39.41 ... 78.74 inch)	AP
2 001 ... 3 000 mm (78.78 ... 118.11 inch)	AQ
3 001 ... 4 000 mm (118.15 ... 157.48 inch)	AR
4 001 ... 5 000 mm (157.52 ... 196.85 inch)	AS
5 001 ... 6 000 mm (196.89 ... 236.22 inch)	AT
Cable Lengths ø 2 mm and 4 mm/316	
501 ... 1 000 mm (19.72 ... 39.37 inch)	AU
1 001 ... 5 000 mm (39.41 ... 196.85 inch)	AV
5 000 ... 10 000 mm (196.85 ... 393.70 inch)	AW
10 001 ... 15 000 mm (393.74 ... 590.55 inch)	AX
15 001 ... 20 000 mm (590.59 ... 787.40 inch)	AY
20 001 ... 25 000 mm (787.44 ... 984.25 inch)	BA
25 001 ... 30 000 mm (984.29 ... 1 181.10 inch)	BB
30 001 ... 35 000 mm (1 181.14 ... 1 377.95 inch)	BC
35 001 ... 40 000 mm (1 377.99 ... 1 574.80 inch)	BD
40 001 ... 45 000 mm (1 574.84 ... 1 771.65 inch)	BE
45 001 ... 50 000 mm (1 771.69 ... 1 968.50 inch)	BF
50 001 ... 55 000 mm (1 968.54 ... 2 165.35 inch)	BG
55 001 ... 60 000 mm (2 165.39 ... 2 362.20 inch)	BH
60 001 ... 65 000 mm (2 362.24 ... 2 559.06 inch)	BJ
65 001 ... 70 000 mm (2 559.09 ... 2 755.91 inch)	BK
70 001 ... 75 000 mm (2 755.94 ... 2 952.76 inch)	BL

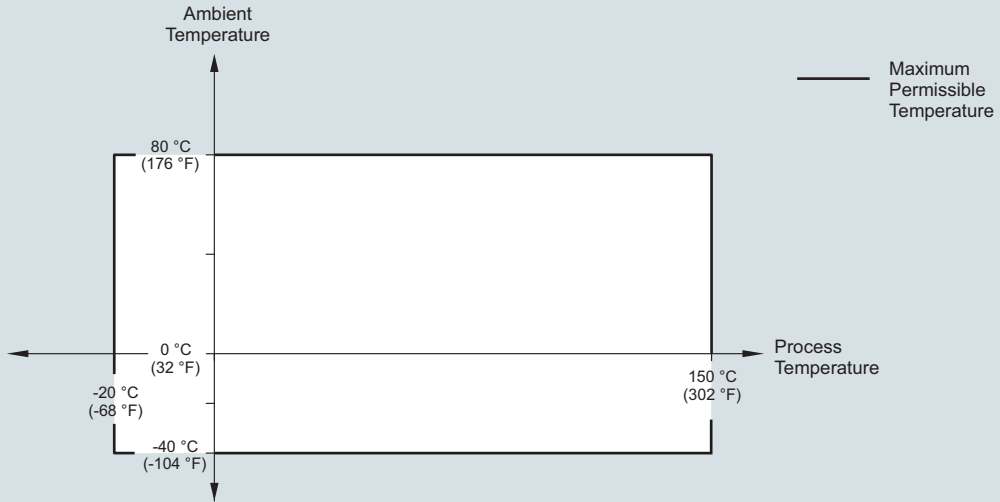
Level Measurement

Continuous level measurement
Guided wave radar transmitters

SITRANS LG series

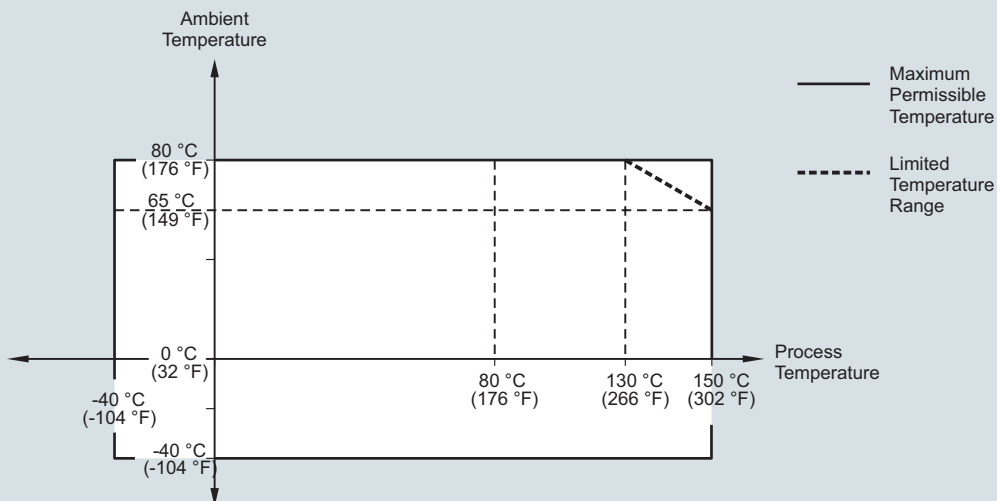
Characteristic curves

SITRANS LG240, Ambient temperature/process temperature, standard version

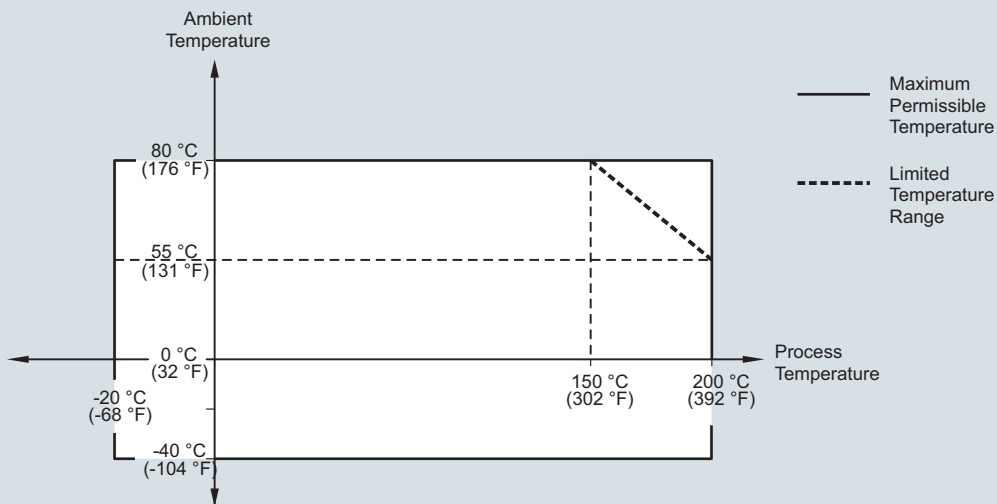


SITRANS LG240, ambient temperature/process temperature curve

SITRANS LG250, Ambient temperature/process temperature, standard version



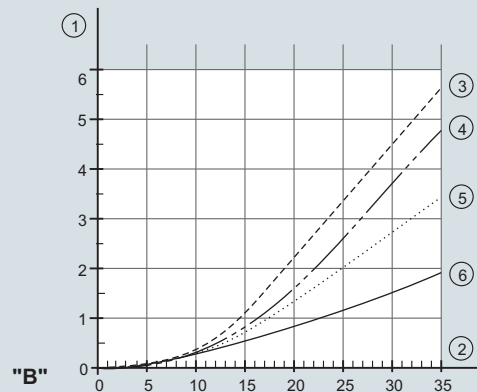
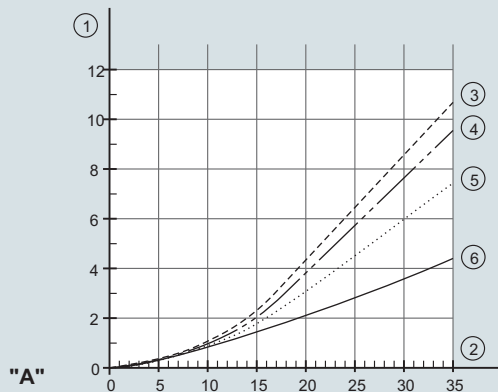
SITRANS LG250, Ambient temperature/process temperature, temperature adapter version



SITRANS LG250, ambient temperature/process temperature curve

Level Measurement

Continuous level measurement
Guided wave radar transmitters

SITRANS LG series**SITRANS LG260, Maximum tensile load with cereals and plastic granules - cable: \varnothing 4 mm (0.157 inch)**

A. Cereals

B. Plastic granules

1. Tensile force in kN (the determined value must be multiplied with safety factor 2)

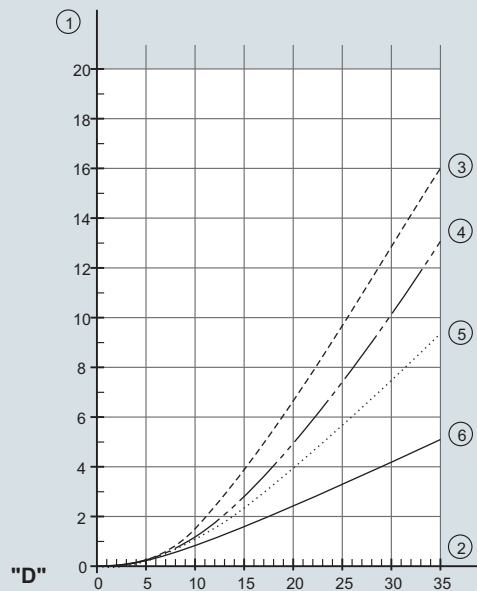
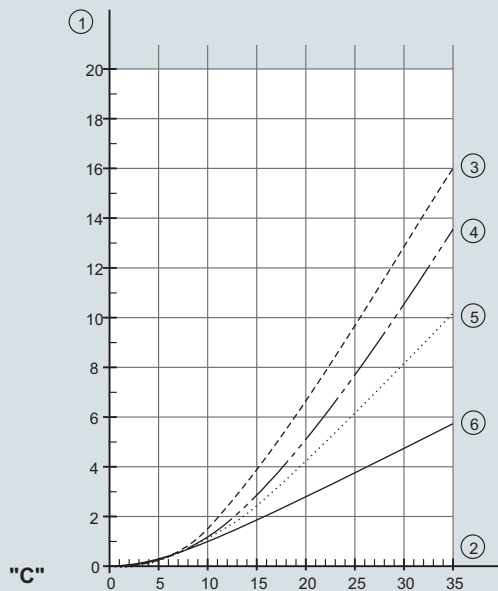
2. Cable length in m

3. Vessel diameter 12 m (39.37 ft)

4. Vessel diameter 9 m (29.53 ft)

5. Vessel diameter 6 m (19.69 ft)

6. Vessel diameter 3 m (9.843 ft)

SITRANS LG260, Maximum tensile load with sand and cement - cable: \varnothing 4 mm (0.157 inch)

C. Sand

D. Cement

1. Tensile force in kN (the determined value must be multiplied with safety factor 2)

2. Cable length in m

3. Vessel diameter 12 m (39.37 ft)

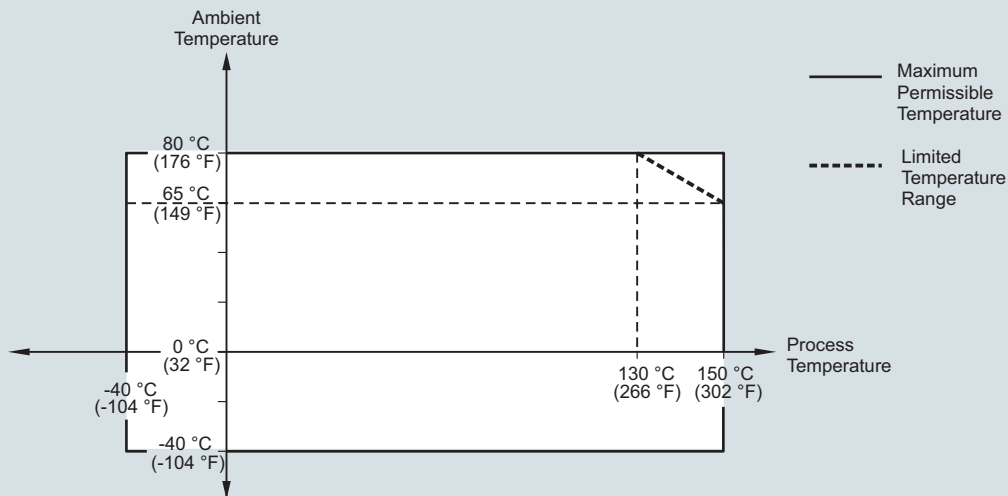
4. Vessel diameter 9 m (29.53 ft)

5. Vessel diameter 6 m (19.69 ft)

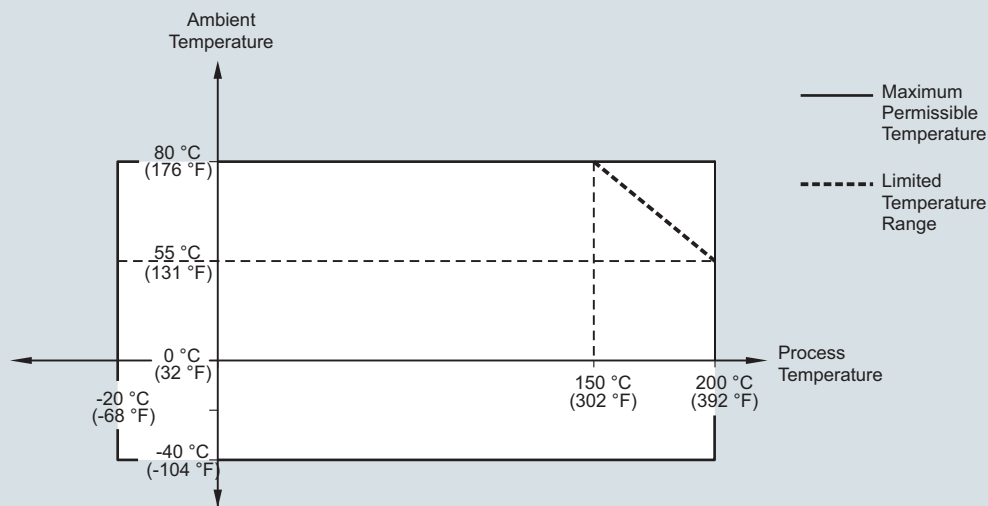
6. Vessel diameter 3 m (9.843 ft)

SITRANS LG260, maximum tensile load curves

SITRANS LG260, Ambient temperature/process temperature, standard version
 Cable version with \varnothing 4 mm (0.157 inch)
 Cable version, PA coated with \varnothing 6 mm (0.236 inch)



SITRANS LG260, Ambient temperature/process temperature, temperature adapter version
 Cable version with \varnothing 4 mm (0.157 inch)
 Cable version, PA coated with \varnothing 6 mm (0.236 inch)



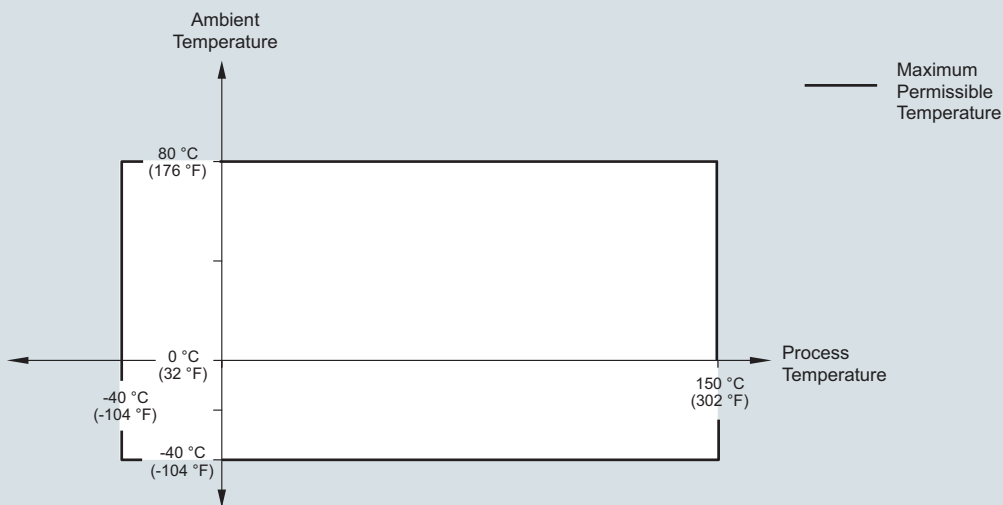
SITRANS LG260, ambient temperature/process temperature curves

Level Measurement

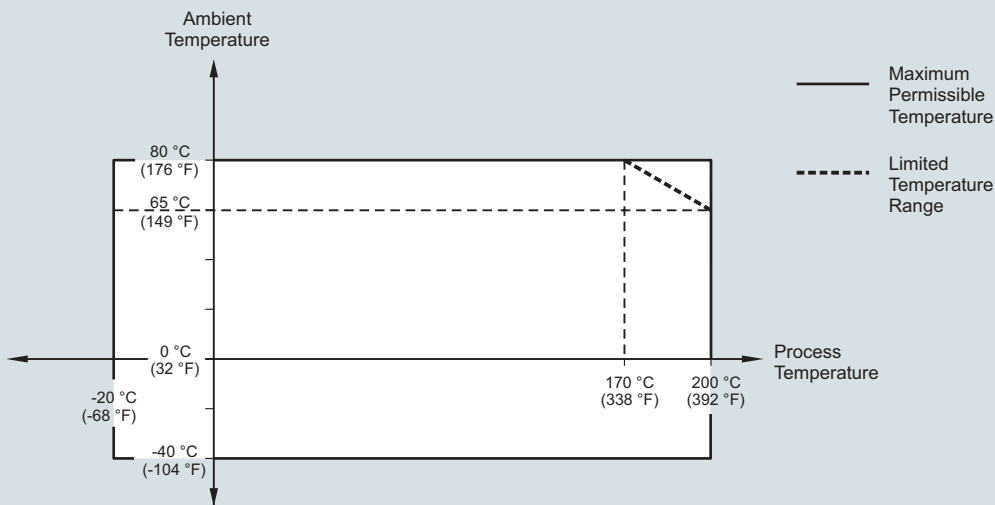
Continuous level measurement
Guided wave radar transmitters

SITRANS LG series

SITRANS LG260, Ambient temperature/process temperature, standard version
Cable version with \varnothing 6 mm (0.236 inch)
Cable version, PA coated with \varnothing 11 mm (0.433 inch)

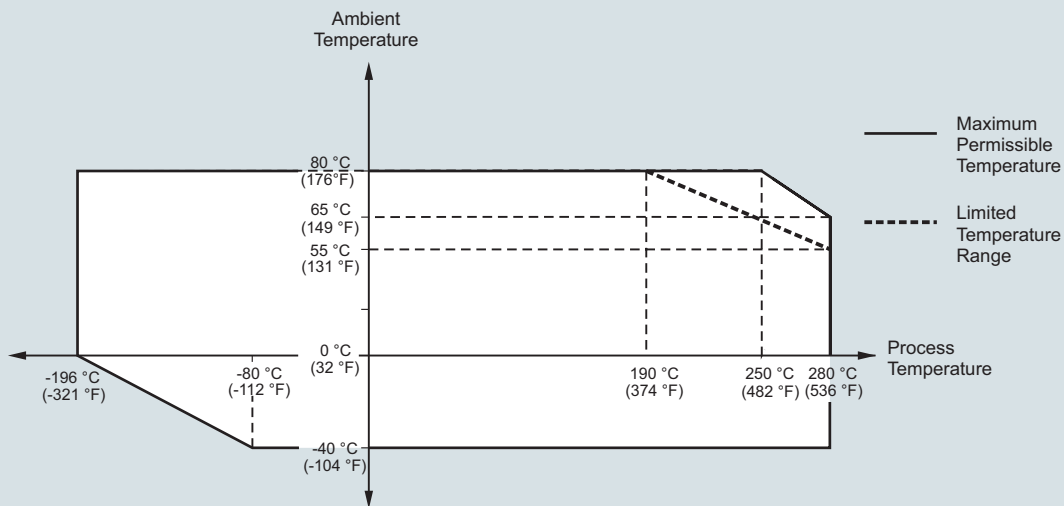


SITRANS LG260, Ambient temperature/process temperature, temperature adapter version
Cable version with \varnothing 6 mm (0.236 inch)
Cable version, PA coated with \varnothing 11 mm (0.433 inch)

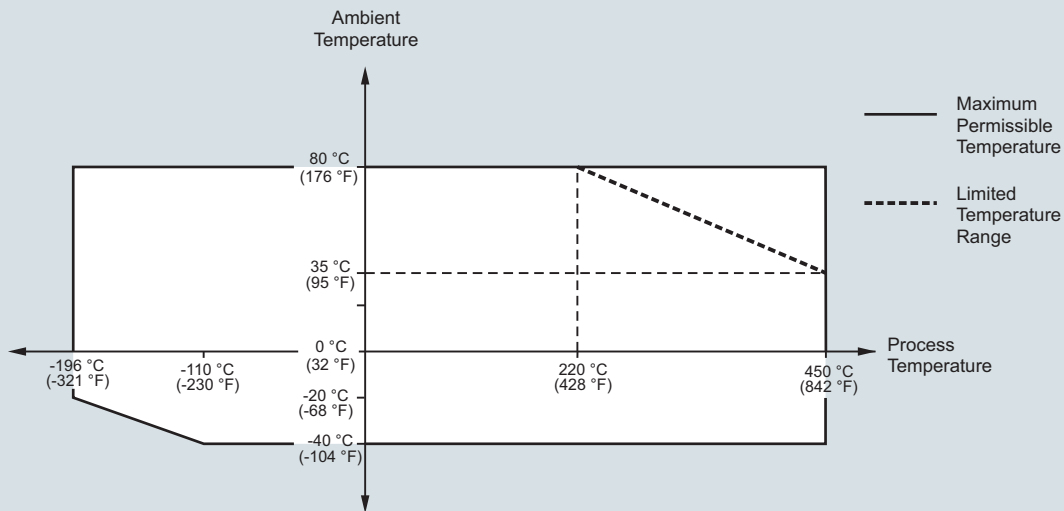


SITRANS LG260, ambient temperature/process temperature curves

SITRANS LG270, Ambient temperature/process temperature (-196 ... +280 °C/-321 ... +536 °F version)



SITRANS LG270, Ambient temperature/process temperature (-196 ... +450 °C/-321 ... +842 °F version)



SITRANS LG270, ambient temperature/process temperature curves

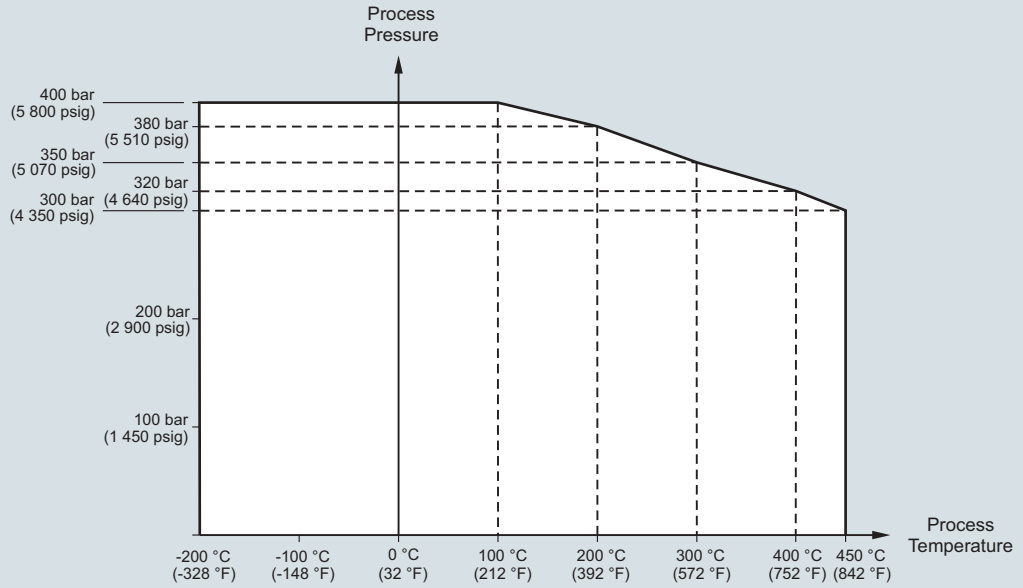
Level Measurement

Continuous level measurement

Guided wave radar transmitters

SITRANS LG series

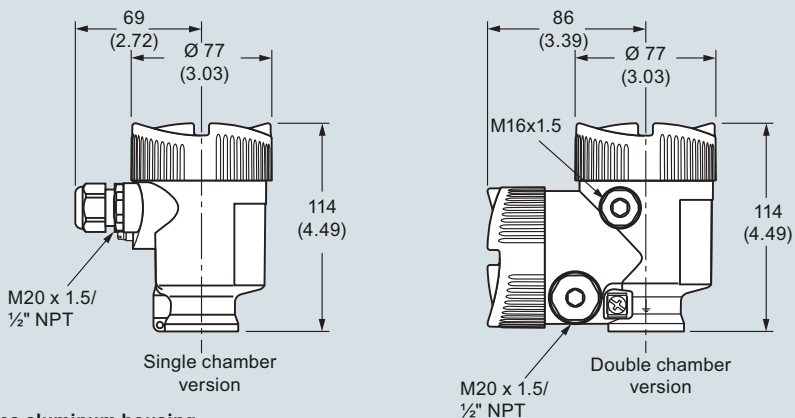
SITRANS LG270, Process pressure/process temperature (-196 ... +450 °C/-321 ... +842 °F version)



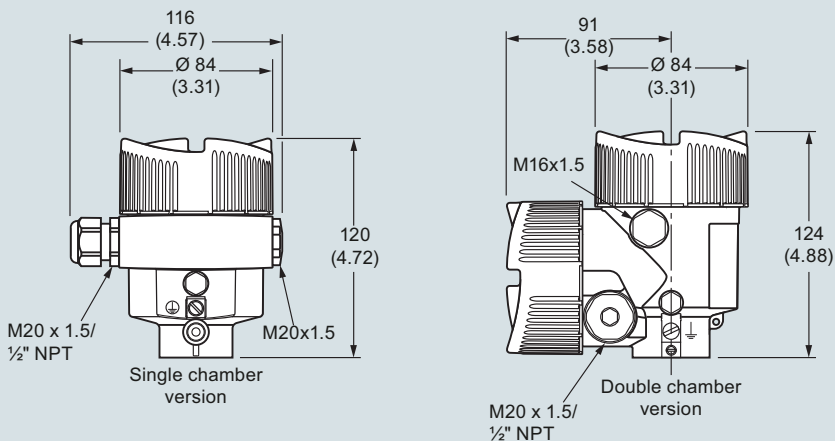
SITRANS LG270, process pressure/process temperature curve

Dimensional drawings

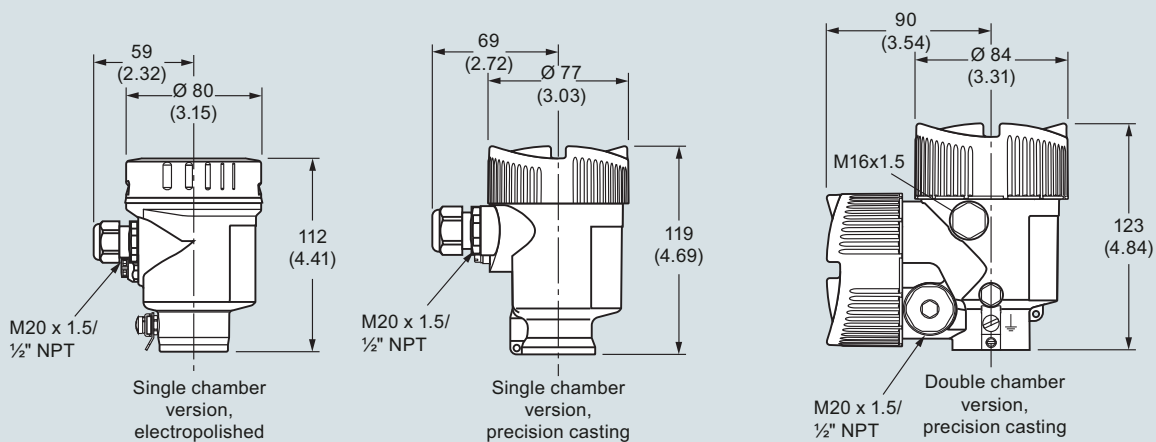
SITRANS LG Series plastic housing



SITRANS LG Series aluminum housing



SITRANS LG Series stainless steel housing



Note: For integrated display and adjustment module the housing is 9 (0.35) higher for all housing options

SITRANS LG series, dimensions in mm (inch)

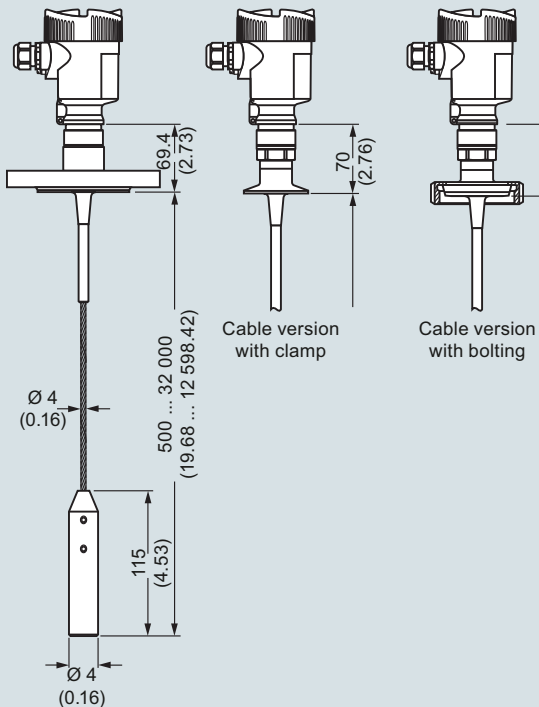
Level Measurement

Continuous level measurement
Guided wave radar transmitters

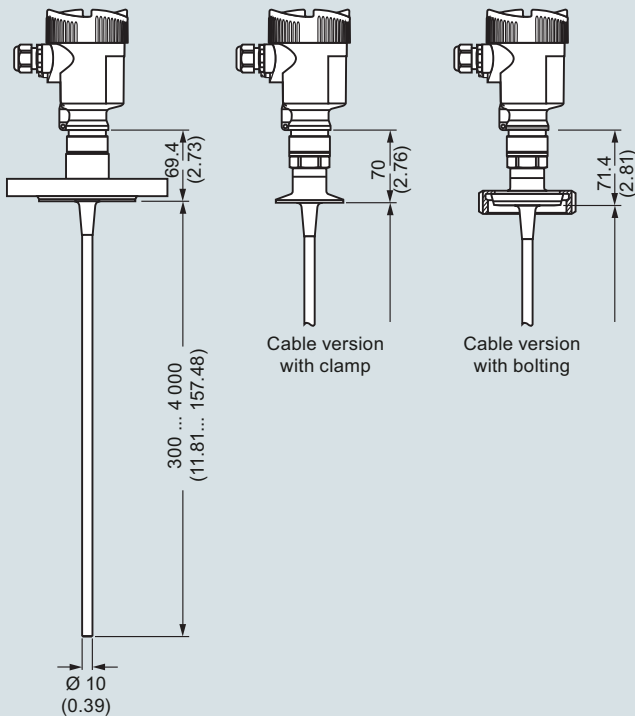
SITRANS LG series

SITRANS LG240

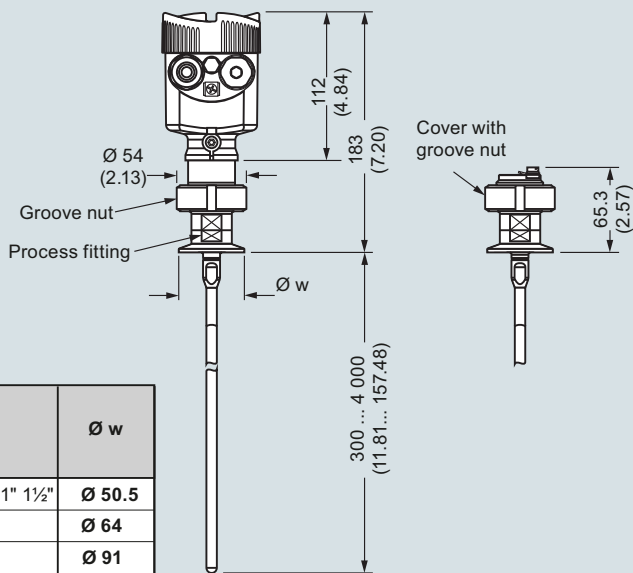
Cable version Ø 4 (0.157), PFA coated



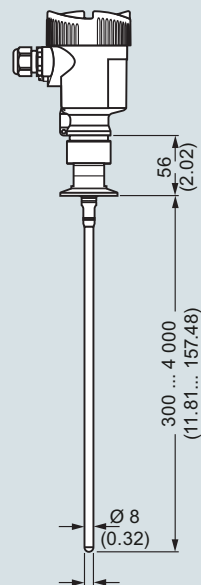
Rod version Ø 10 (0.394), PFA coated



Autoclaved version



Rod version Ø 8 (0.315), polished

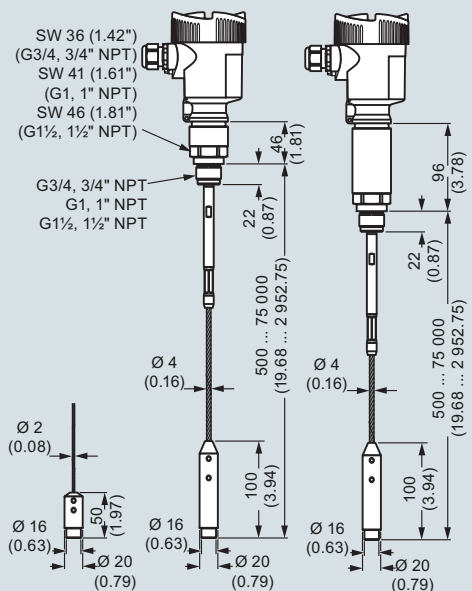


	Ø w
DIN DN 25 DN 32 DN 40/ 1" 1½"	Ø 50.5
DIN DN 50/ 2"	Ø 64
DIN DN 65/ 3"	Ø 91

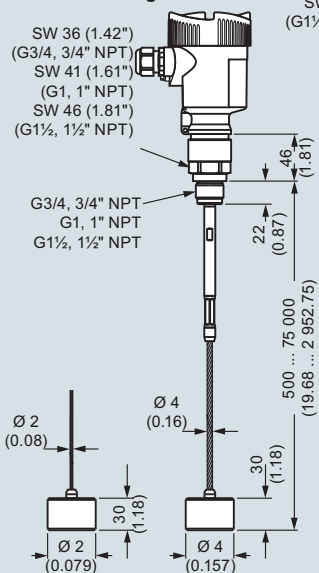
SITRANS LG240, dimensions in mm (inch)

SITRANS LG250

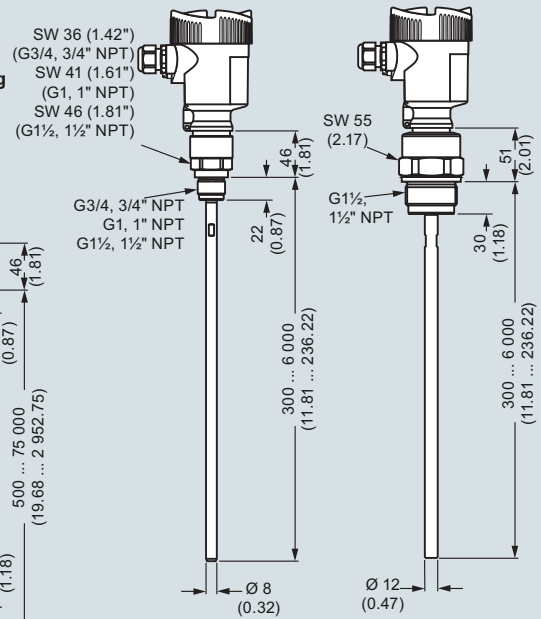
Cable version with gravity weight



Cable version with centering weight



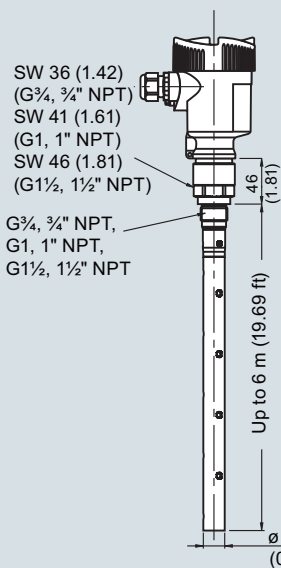
Rod version



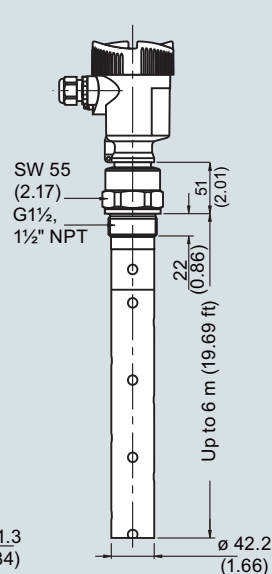
SITRANS LG250, dimensions in mm (inch)

SITRANS LG250, coax version

**Coaxial version
Ø 21.3 (0.839)**



**Coaxial version
Ø 42.2 (1.661)**



SITRANS LG250, dimensions in mm (inch)

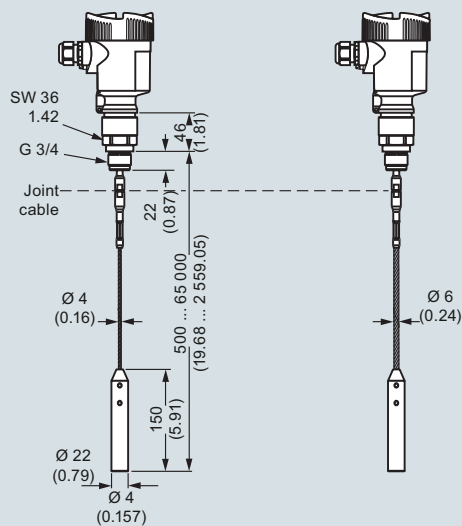
Level Measurement

Continuous level measurement
Guided wave radar transmitters

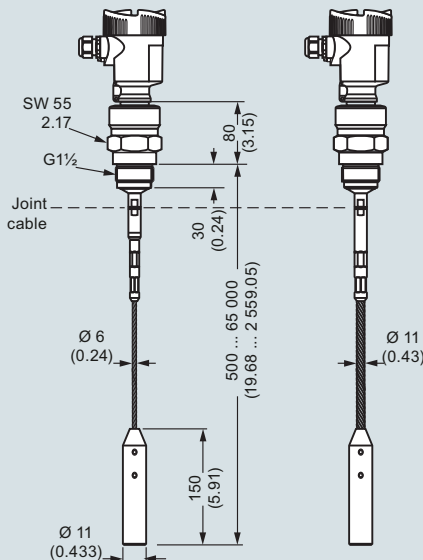
SITRANS LG series

SITRANS LG260

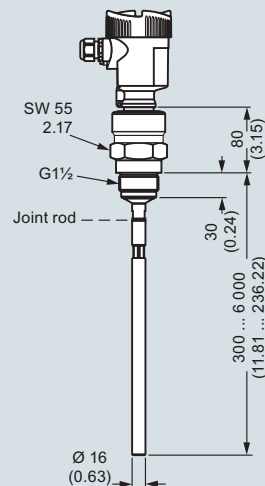
Cable version Ø 4 (0.157) / Ø 6 (0.236) - PA coated



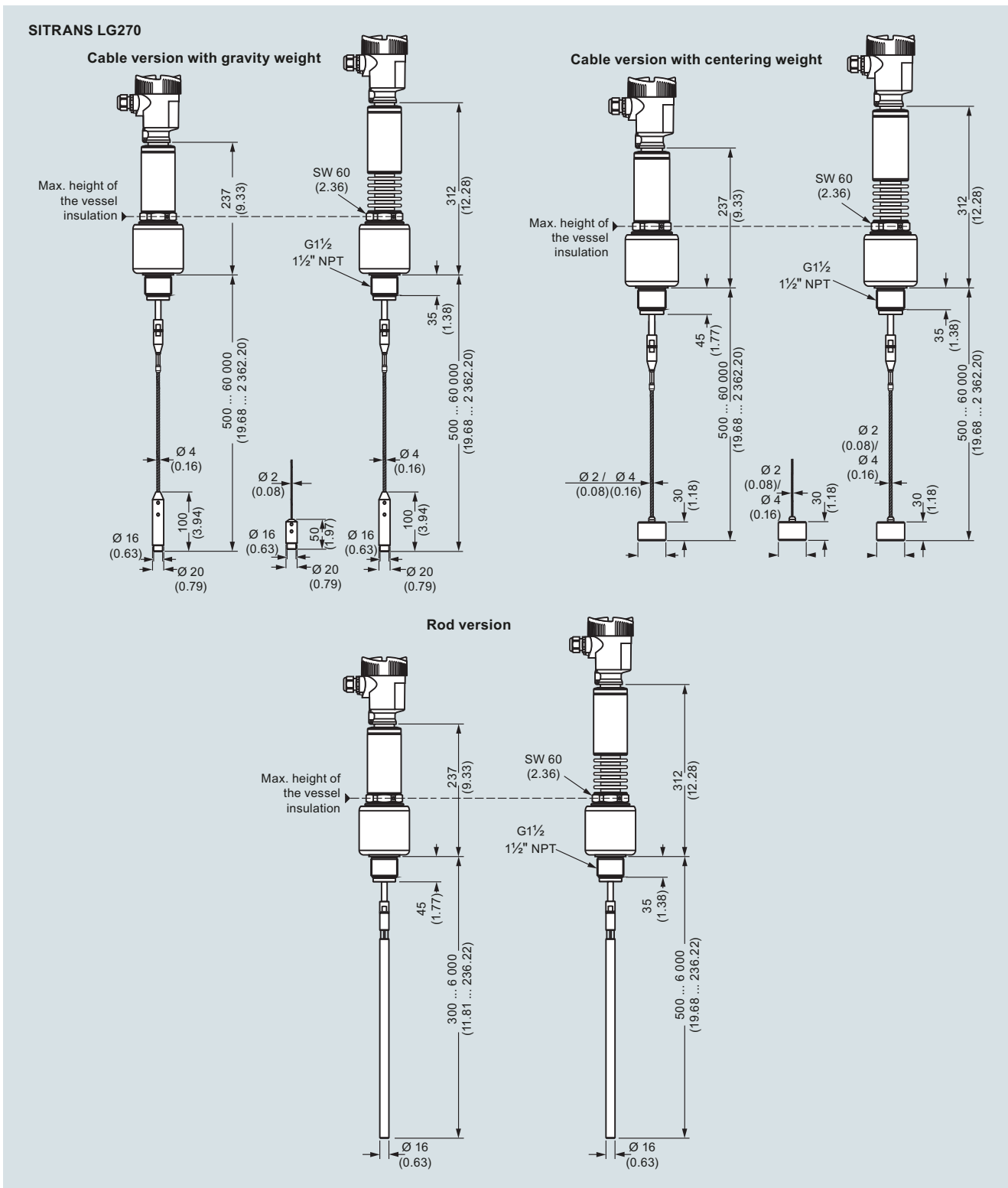
Cable version Ø 6 (0.236) / Ø 11 (0.433) - PA coated



Rod version Ø 16 (0.63)



SITRANS LG260, dimensions in mm (inch)



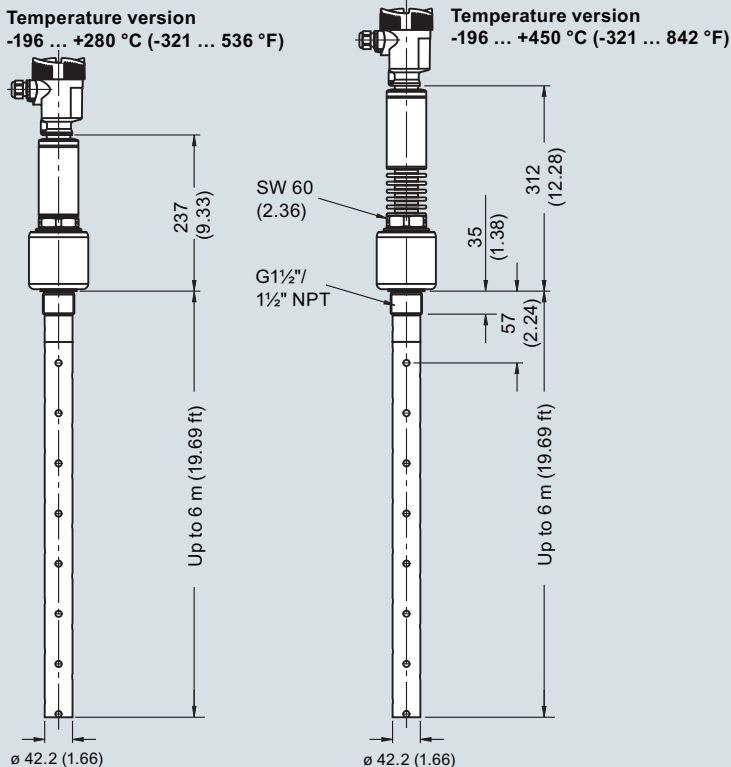
SITRANS LG270, dimensions in mm (inch)

Level Measurement

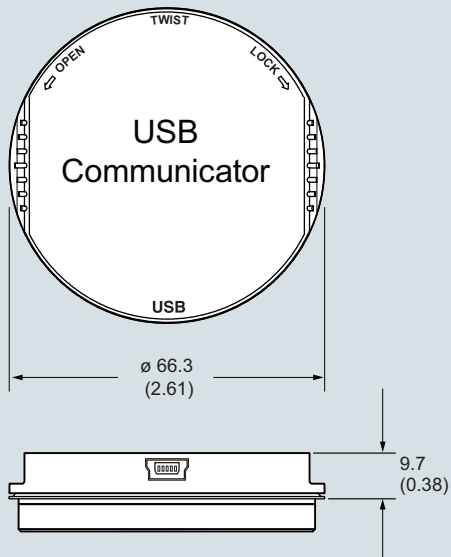
Continuous level measurement
Guided wave radar transmitters

SITRANS LG series

SITRANS LG270, coax version

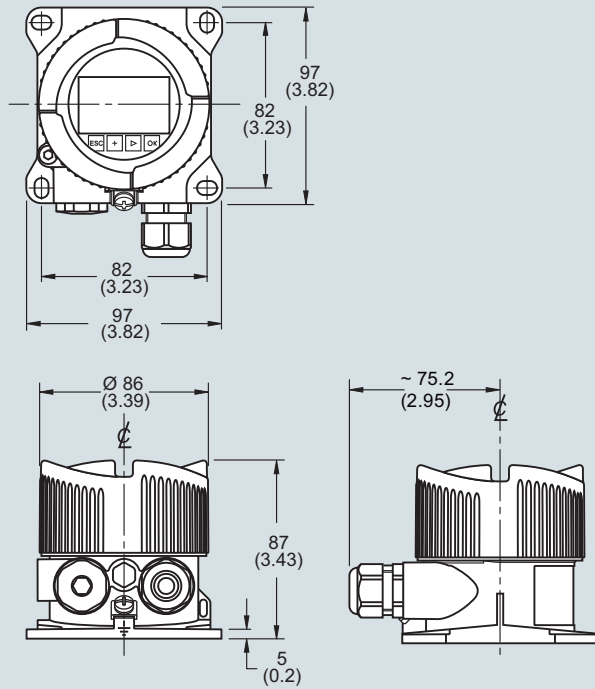


SITRANS LG270, dimensions in mm (inch)

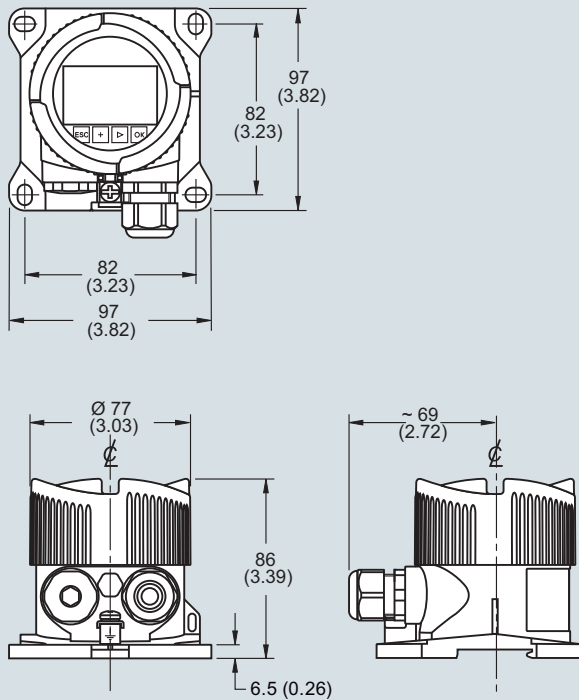


SITRANS LG USB Communicator, dimensions in mm (inch)

SITRANS LG remote interface, aluminum housing



SITRANS LG remote interface, plastic housing



SITRANS LG remote interface, dimensions in mm (inch)

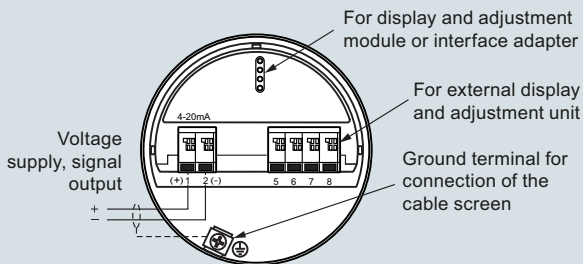
Level Measurement

Continuous level measurement
Guided wave radar transmitters

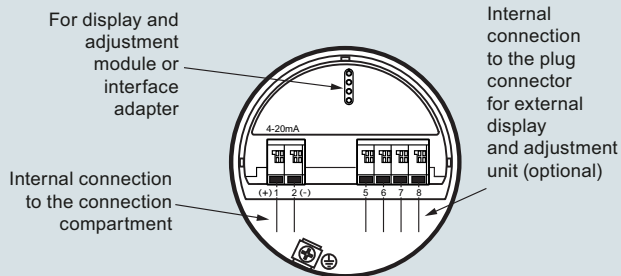
SITRANS LG series

Circuit diagrams

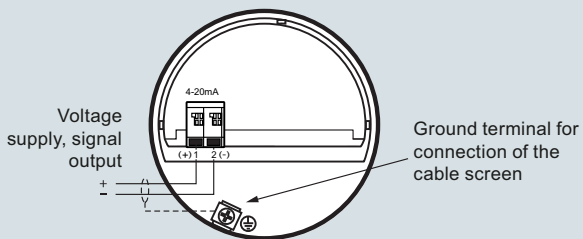
2-wire HART electronic option, electronics and connection compartment, single chamber housing



2-wire HART electronic option, electronics compartment, double chamber housing



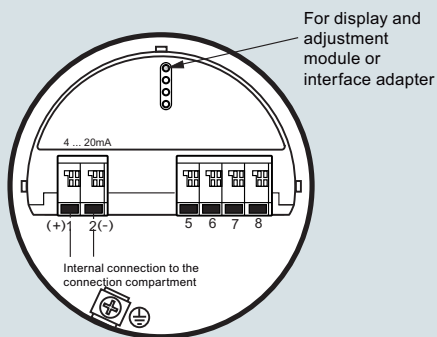
2-wire HART electronic option, connection compartment, Ex-d-ia double chamber housing



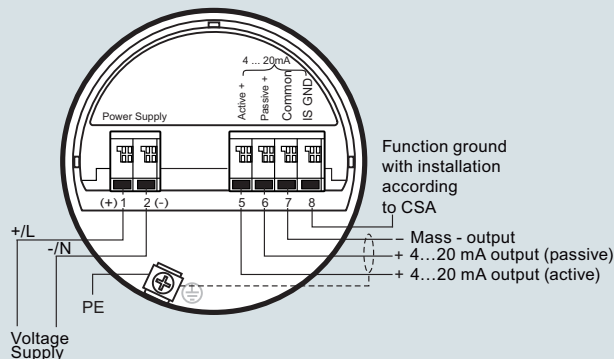
Note: All 2-wire HART connections and electronics are also available with SIL qualification.

SITRANS LG series connections

4-wire HART electronic option, electronics compartment, double chamber housing



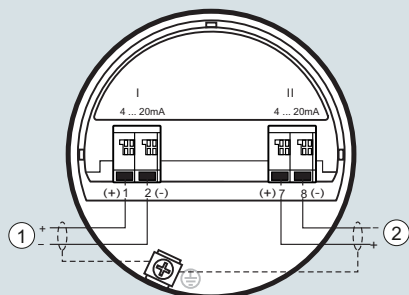
4-wire electronic option, connection compartment, double chamber housing with mains voltage



SITRANS LG series connections

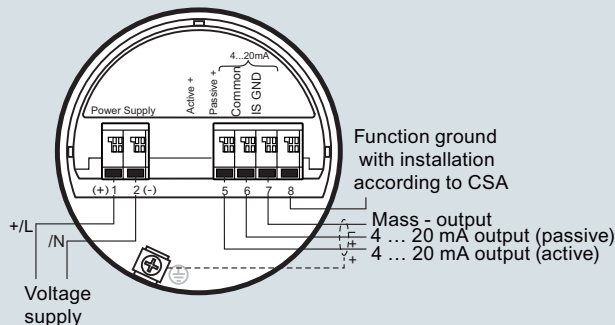
4

Supplementary electronics



- ① First current output (I) - Voltage supply and signal output (HART)
- ② Second current output (II) - Voltage supply and signal output (without HART)

Connection compartment with low voltage

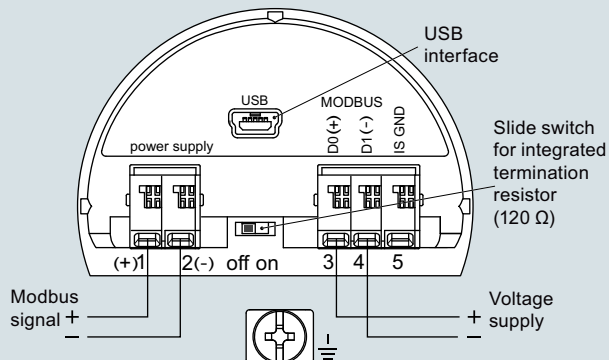


Function ground with installation according to CSA

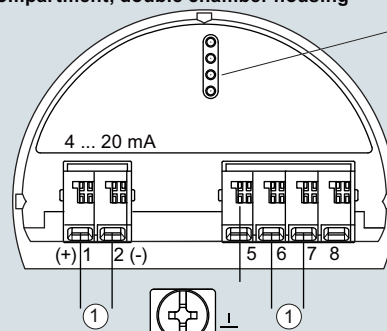
Mass - output
4 ... 20 mA output (passive)
4 ... 20 mA output (active)

SITRANS LG series connections

Modbus electronic option, connection compartment



Modbus electronic option, electronics compartment, double chamber housing

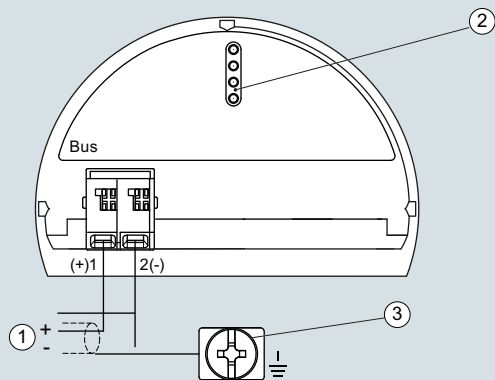


For display and adjustment module or interface adapter

- ① Internal connection to the connection compartment

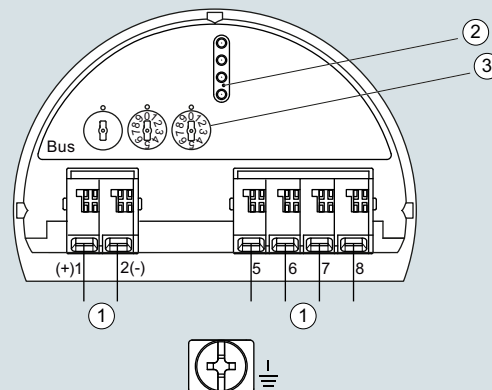
SITRANS LG series connections

PROFIBUS electronic option, connection compartment, double chamber housing



- ① Voltage supply, signal output
- ② For display and adjustment module or interface adapter
- ③ Ground terminal for connection of the cable screen

PROFIBUS electronic option, electronics compartment, double chamber housing



- ① Internal connection to the connection compartment
- ② Contact pins for the display and adjustment module or interface adapter
- ③ Selection switch for bus address

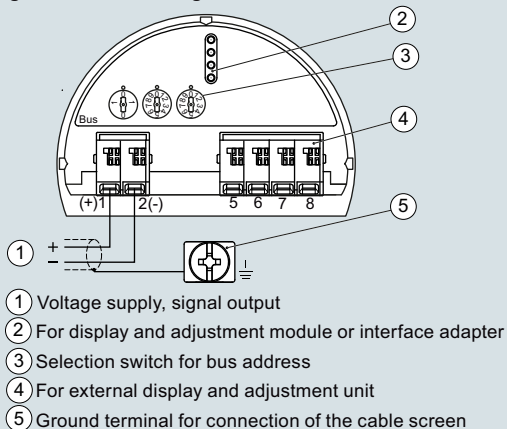
LG series connections

Level Measurement

Continuous level measurement
Guided wave radar transmitters

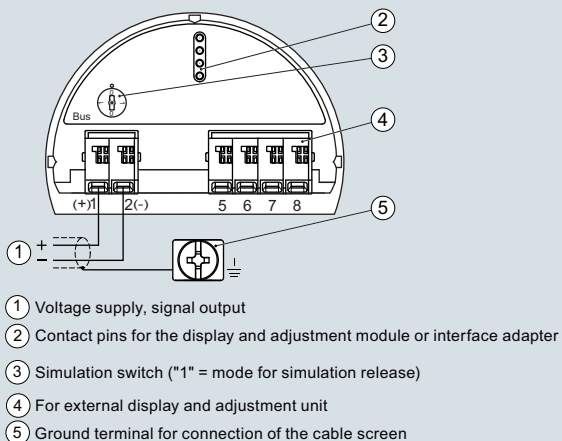
SITRANS LG series

PROFIBUS electronic option, electronics and connection compartment, single chamber housing



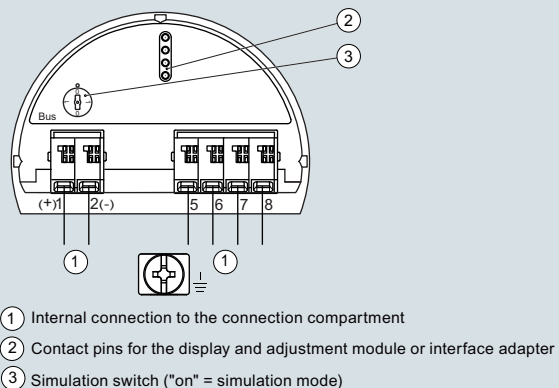
LG series connections

LG series, FOUNDATION Fieldbus electronic option, electronic and terminal compartment, single chamber housing



LG series connections

LG series, FOUNDATION Fieldbus electronic option, electronic compartment, double chamber housing



LG series connections

LG series, FOUNDATION Fieldbus electronic option, terminal compartment, double chamber housing

